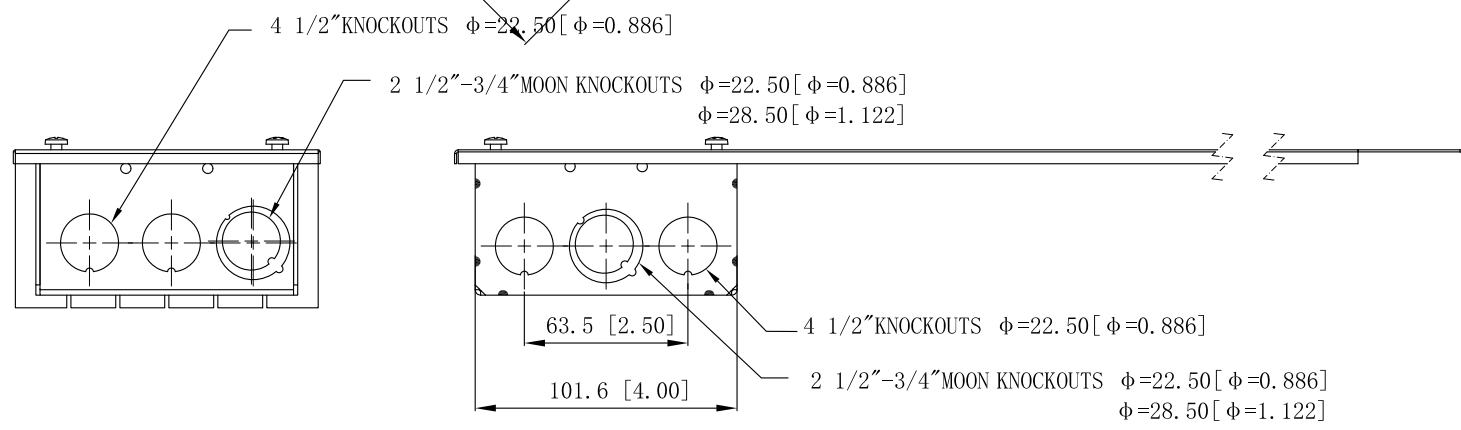
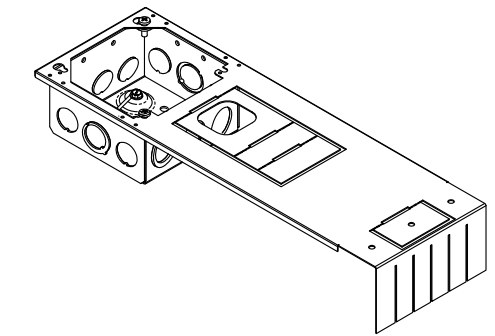
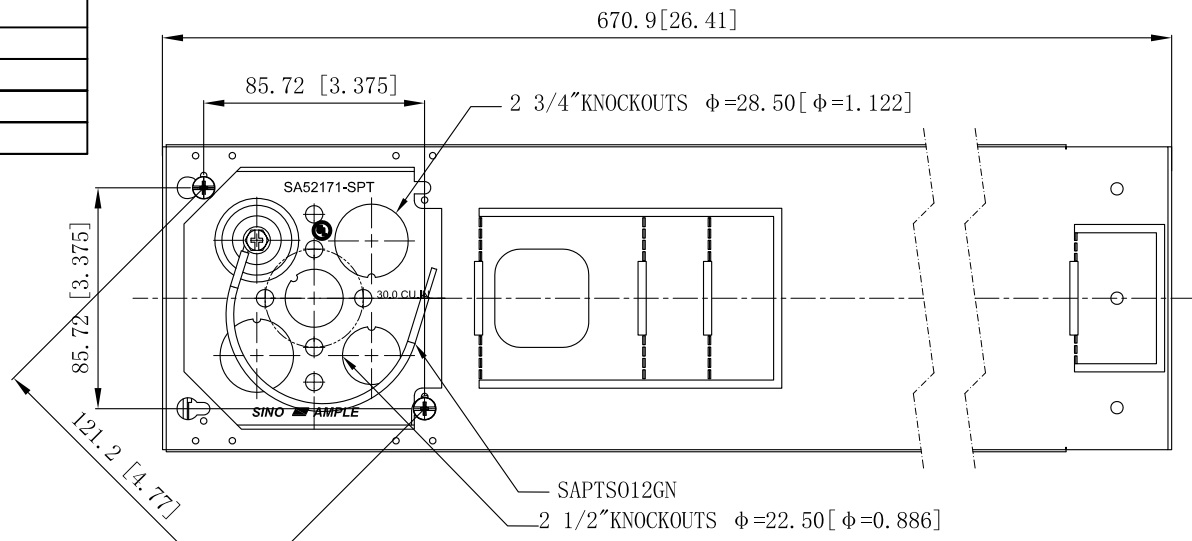


| SIDES | BOTTOM |
|----------------------------------|------------------|
| 8 1/2" KNOCKOUTS | 2 1/2" KNOCKOUTS |
| 4 1/2"-3/4" MOON KNOCKOUTS | 2 3/4" KNOCKOUTS |
| | 1 Ground Hump |
| 2 PCS 8-32x1/2 Screws Installed | |
| 1 PCS 10-32x3/8 Screws Installed | |
| Material:Steel-G60 Galvanized | |



| |
|-----------------------|
| DESCRIPTION |
| |
| TRADE REFERENCE TERMS |
| |

This data sheet is for reference only .SINO AMPLE reserves the right to make changes to the design without prior notice.

| | | | |
|------------------|---|--|-----|
| STANDARD PACKING | ZHUJI SINO AMPLE METAL PRODUCTS CO., LTD. | | |
| | TITLE | | |
| SIZE | DWG NO. | | REV |
| A4 | SAFKA424 | | A |
| DATA SHEET | | | |