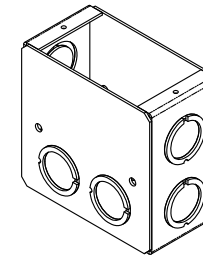


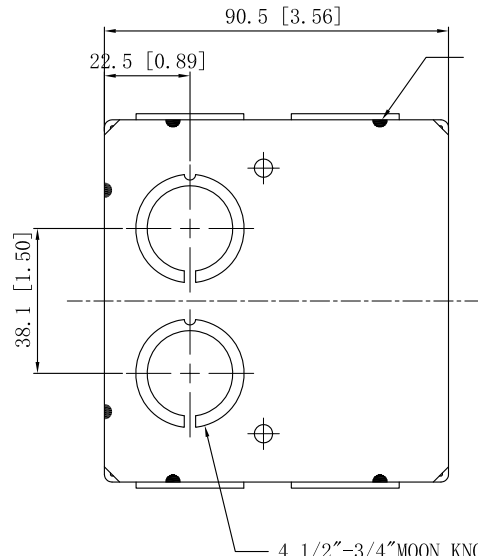
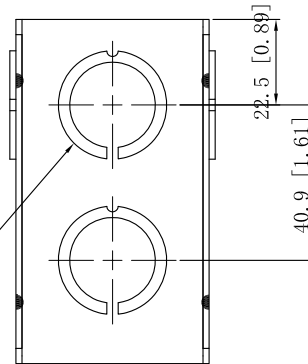
UL File #

E508835

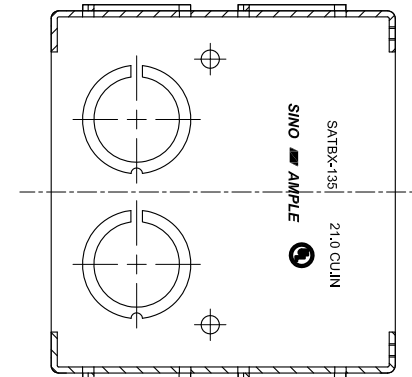
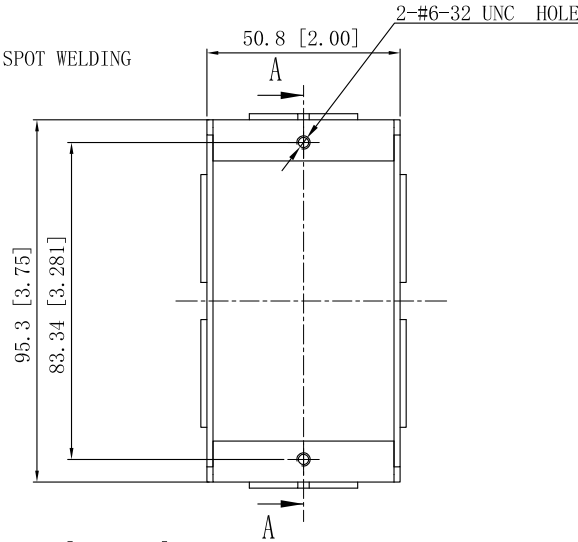
SIDES	BOTTOM
8 1/2"-3/4" MOON KNOCKOUTS	
2 PCS 8-32X1/4 Screws Installed	
Material:Steel-0.0625"-G60 Galvanized	



4 1/2"-3/4"MOON KNOCKOUTS  $\phi=22.50$  [ $\phi=0.886$ ]  
 $\phi=28.50$  [ $\phi=1.122$ ] MIRROR



4 1/2"-3/4"MOON KNOCKOUTS  $\phi=22.50$  [ $\phi=0.886$ ]  
 $\phi=28.50$  [ $\phi=1.122$ ] MIRROR



CUTAWAY VIEW A-A

This data sheet is for reference only .SINO AMPLE reserves the right to make changes to the design without prior notice.

DESCRIPTION
TRADE REFERENCE TERMS

STANDARD PACKING	ZHUJI SINO AMPLE METAL PRODUCTS CO., LTD.		
20 PCS	TITLE SOLID MASONRY BOX 3-1/2"DEEP		
	SIZE A4	DWG NO. SATBX-135	REV A
	DATA SHEET		