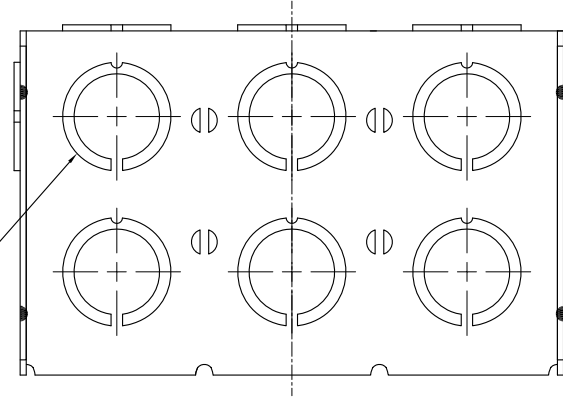
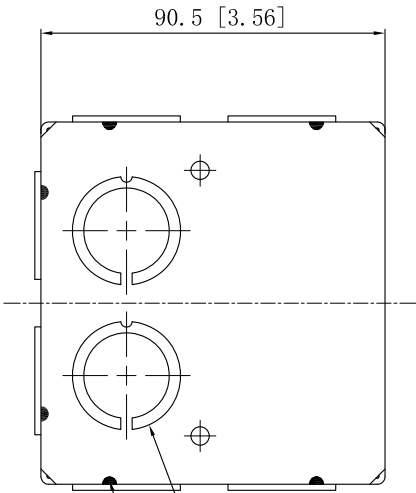
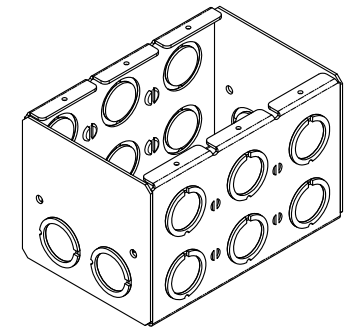


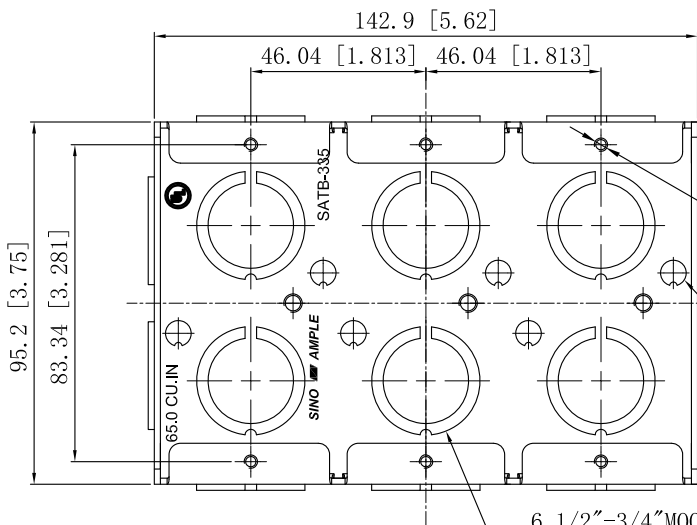
SIDES	BOTTOM
16 1/2"-3/4" MOON KNOCKOUTS	6 KNOCKOUTS
	6 1/2"-3/4" MOON KNOCKOUTS
Material: Steel-0.0625"-G60 Galvanized	



12 1/2"-3/4" MOON KNOCKOUTS $\phi=22.50$ [$\phi=0.886$]
 $\phi=28.50$ [$\phi=1.122$] MIRROR



4 1/2"-3/4" MOON KNOCKOUTS $\phi=22.50$ [$\phi=0.886$]
 $\phi=28.50$ [$\phi=1.122$] MIRROR
 12 PLACES SPOT WELDING



6 1/2"-3/4" MOON KNOCKOUTS $\phi=22.50$ [$\phi=0.886$]
 $\phi=28.50$ [$\phi=1.122$]

This data sheet is for reference only .SINO AMPLE reserves the right to make changes to the design without prior notice.

DESCRIPTION
TRADE REFERENCE TERMS

STANDARD PACKING	ZHUJI SINO AMPLE METAL PRODUCTS CO., LTD.		
	TITLE SOLID MASONRY BOX 3-1/2" DEEP		
5 PCS	SIZE	DWG NO.	REV
	A4	SATB-335	A
DATA SHEET			