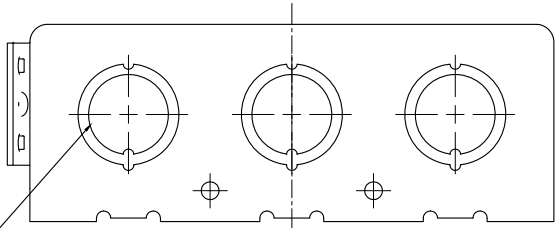
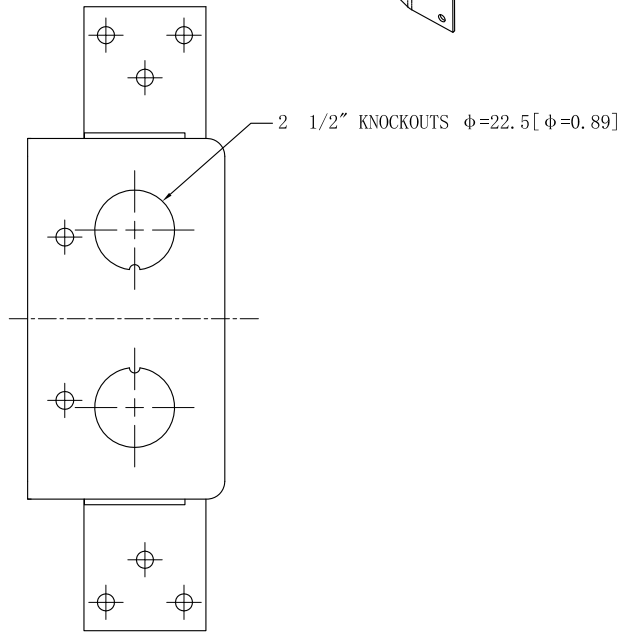
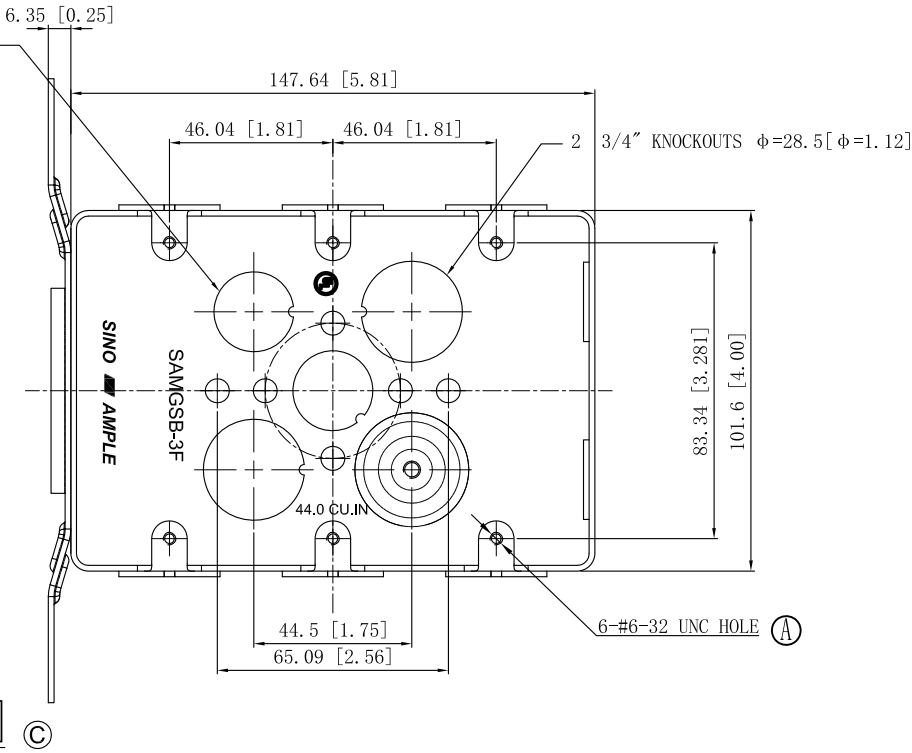
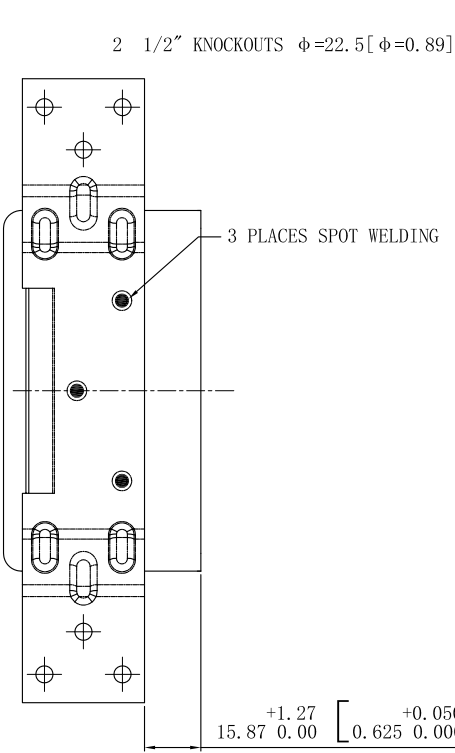
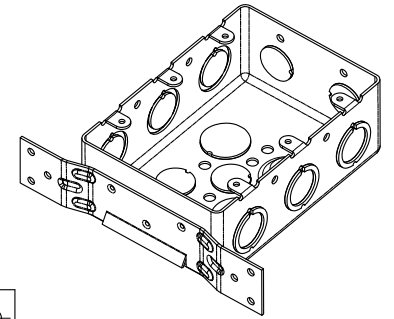


SIDES	BOTTOM
2 1/2" KNOCKOUTS	4 1/2" KNOCKOUTS
6 1/2"-3/4" MOON KNOCKOUTS	2 3/4" KNOCKOUTS
	1 Groud Hump
Material:Steel-0.0625"-G60 Galvanized	



6 1/2"-3/4" MOON KNOCKOUTS  $\phi=22.5[\phi=0.89]$   
 $\phi=28.5[\phi=1.12]$



This data sheet is for reference only .SINO AMPLE reserves the right to make changes to the design without prior notice.

DESCRIPTION
TRADE REFERENCE TERMS

STANDARD PACKING
20 PCS

ZHUJI SINO AMPLE METAL PRODUCTS CO. , LTD.		
TITLE 3-GANG SWITCH BOX 2-1/8"DEEP		
SIZE A4	DWG NO. SAMGSB-3F	REV A
DATA SHEET		