

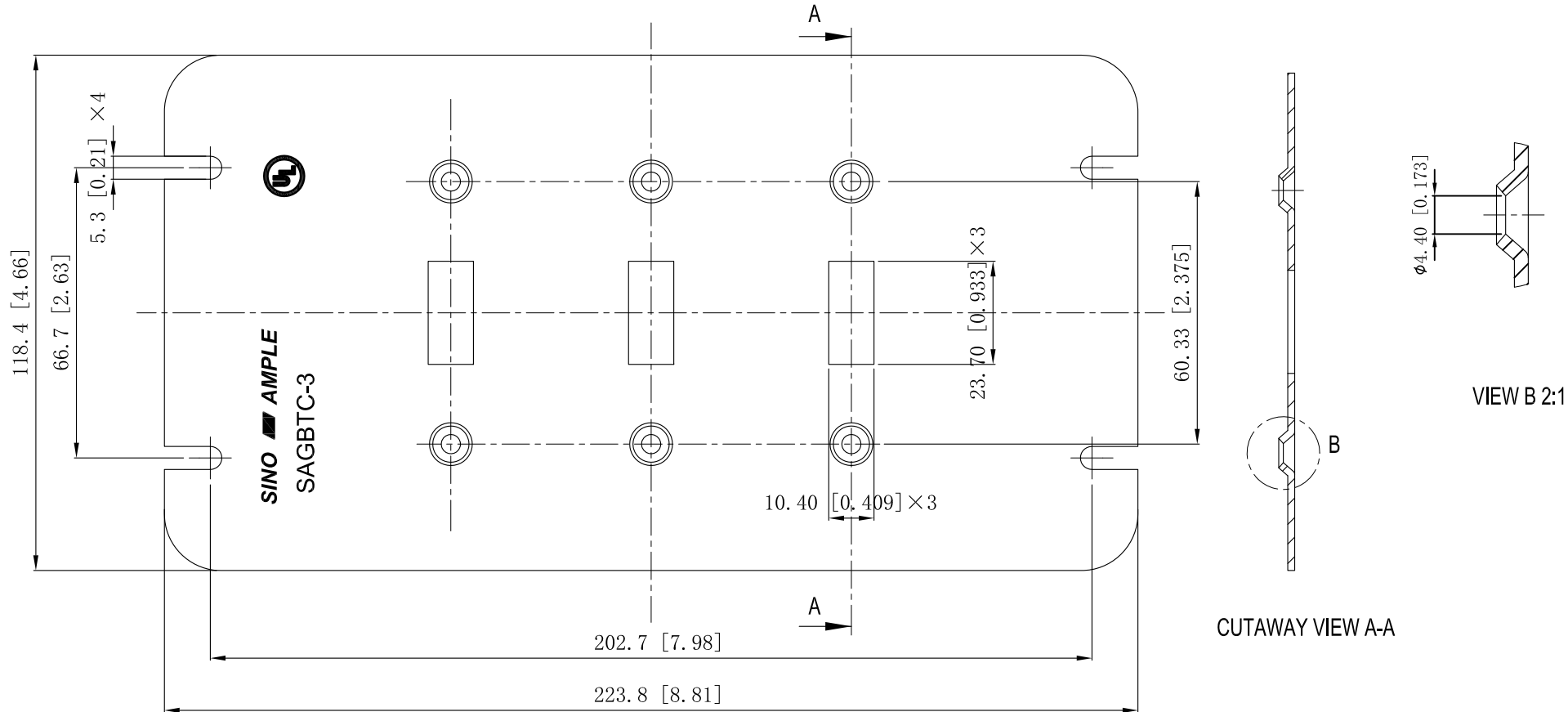
SIDES

BOTTOM

UL File #

E508835

Material: Steel-0.0625"-G60 Galvanized



DESCRIPTION

This data sheet is for reference only .SINO AMPLE reserves the right to make changes to the design without prior notice.

STANDARD PACKING	ZHUJI SINO AMPLE METAL PRODUCTS CO. , LTD.		
20 PCS	TITLE FLAT TOGGLE MULTI-GANG BOX COVERS		
	SIZE A4	DWG NO. SAGBTC-3	REV A
	DATA SHEET		