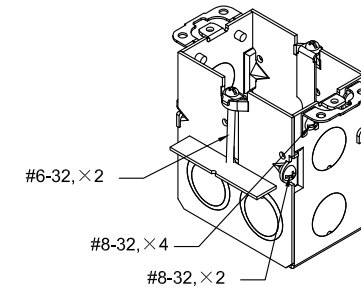
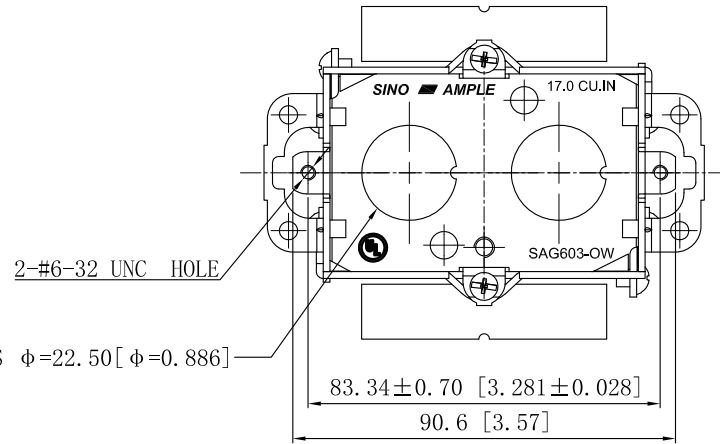
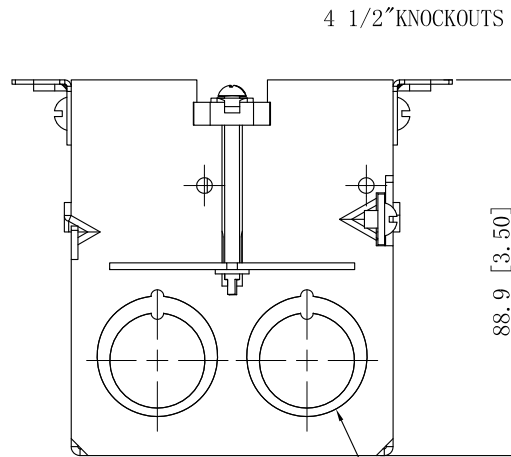
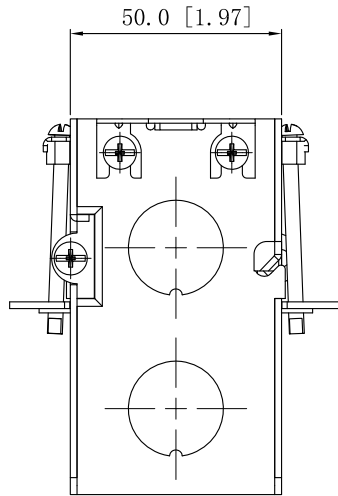


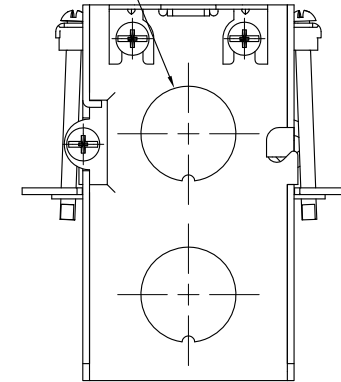
SIDES	BOTTOM
4 1/2" KNOCKOUTS	2 1/2" KNOCKOUTS
4 1/2"-3/4" MOON KNOCKOUTS	
2 PCS 6-32x1 7/8 Screws Installed	
4 PCS 8-32x3/16 Screws Installed	
2 PCS 8-32x1/4 Screws Installed	
Material: Steel-0.0625"-G60 Galvanized	



2 1/2" KNOCKOUTS $\phi = 22.50$ [$\phi = 0.886$]



4 1/2" KNOCKOUTS $\phi = 22.50$ [$\phi = 0.886$]
MIRROR



4 1/2"-3/4" MOON KNOCKOUTS $\phi = 22.5$ [$\phi = 0.886$]
 $\phi = 28.5$ [$\phi = 1.122$]

This data sheet is for reference only. Sino Ample reserves the right to make changes to the design without prior notice.

DESCRIPTION
TRADE REFERENCE TERMS

STANDARD PACKING	Zhuji Sino Ample Metal Products Co., Ltd.		
	TITLE GANGABLE SWITCH BOXES WITH CONDUIT KNOCKOUTS		
25 PCS	SIZE	DWG NO.	REV
	A4	SAG603-OW	A
DATA SHEET			