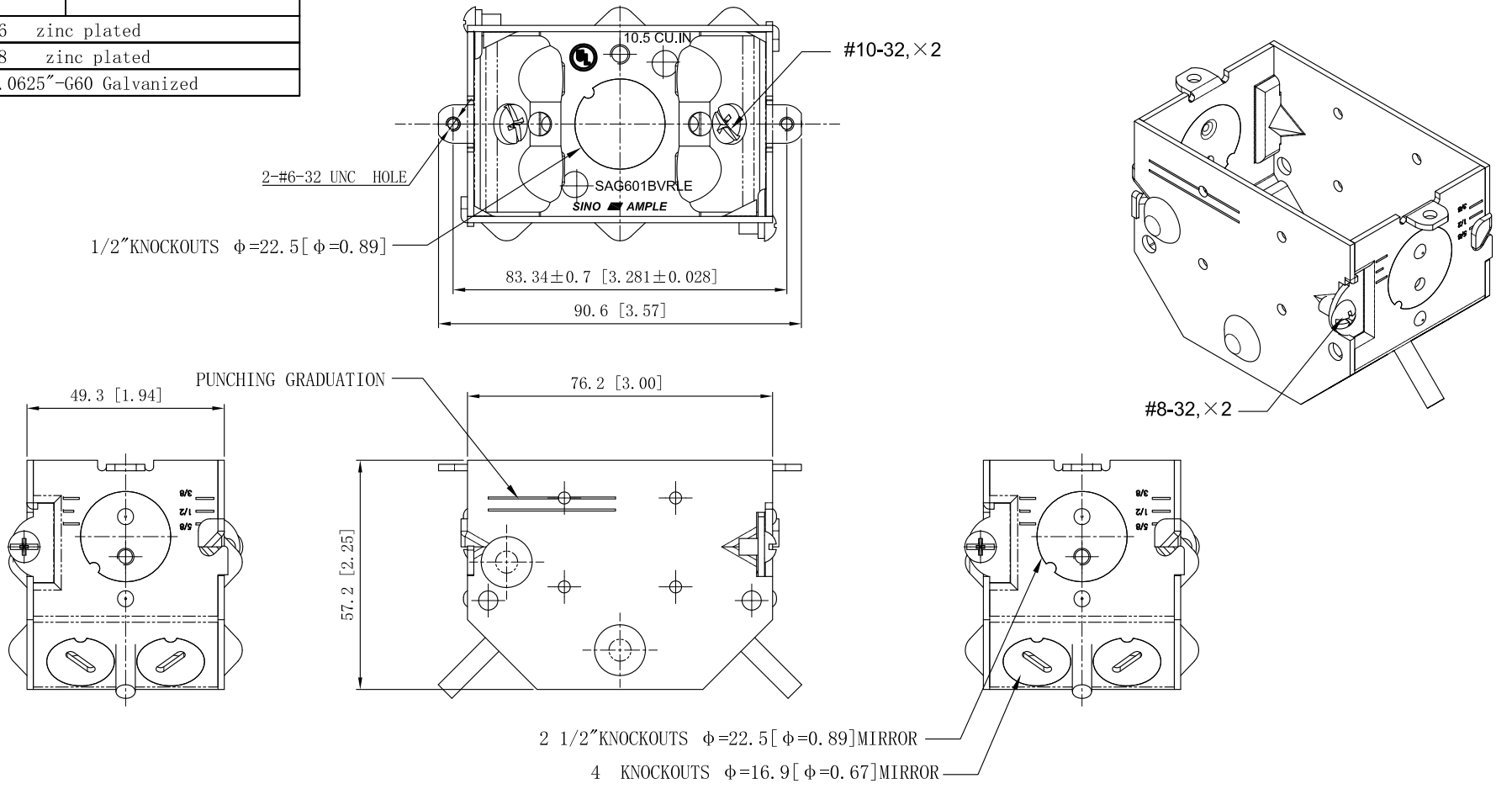


SIDES	BOTTOM
2 1/2" KNOCKOUTS	1/2" KNOCKOUTS
	4 KNOCKOUTS
2pcs #8-32×3/16 zinc plated	
2pcs #10-32×7/8 zinc plated	
Material: Steel-0.0625"-G60 Galvanized	



This data sheet is for reference only. Sino Ample reserves the right to make changes to the design without prior notice.

DESCRIPTION
TRADE REFERENCE TERMS

STANDARD PACKING	Zhuji Sino Ample Metal Products Co., Ltd.		
50 PCS	TITLE		
	SIZE	DWG NO.	REV
	A4	SAG601BVRLE	A
DATA SHEET			