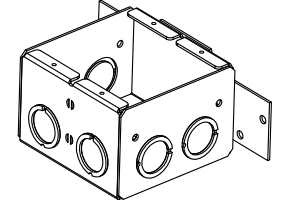
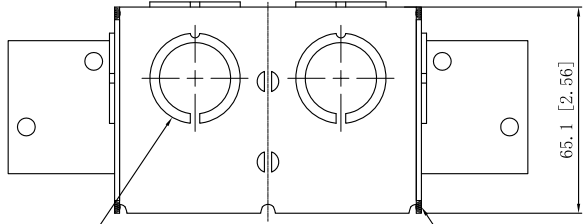


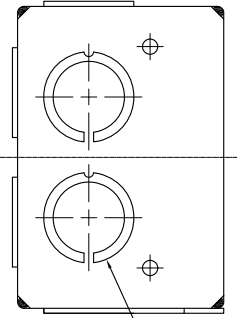
SIDES	BOTTOM
6 1/2"-3/4" MOON KNOCKOUTS	4 KNOCKOUTS
	4 1/2"-3/4" MOON KNOCKOUTS
Material: Steel-0.0625"-G60 Galvanized	



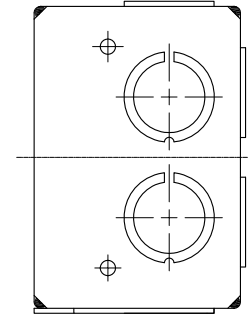
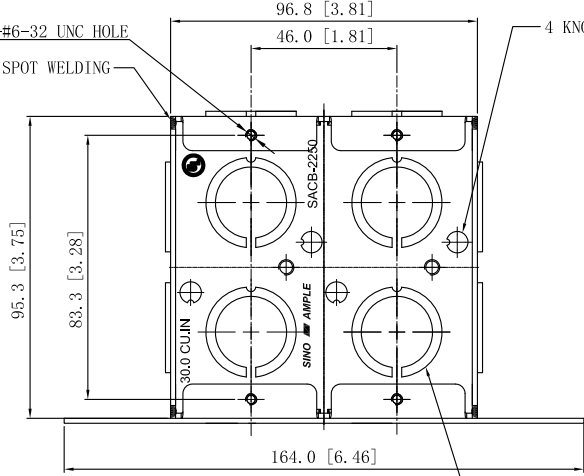
2 1/2"-3/4 KNOCKOUTS $\phi=22.5[\phi=0.89]$
 $\phi=28.5[\phi=1.12]$ MIRROR

8 PLACES SPOT WELDING

4-#6-32 UNC HOLE
 8 PLACES SPOT WELDING
 96.8 [3.81]
 46.0 [1.81]
 4 KNOCKOUTS $\phi=6.75[\phi=0.27]$

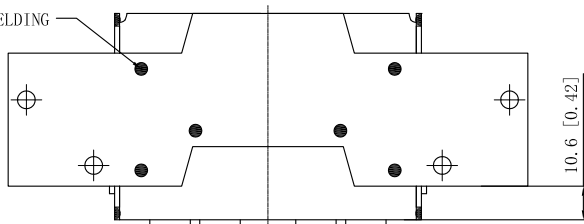


4 1/2"-3/4" KNOCKOUTS $\phi=22.50[\phi=0.886]$
 $\phi=28.50[\phi=1.122]$ MIRROR



4 1/2"-3/4" KNOCKOUTS $\phi=22.50[\phi=0.886]$
 $\phi=28.50[\phi=1.122]$

6 PLACES SPOT WELDING



This data sheet is for reference only .SINO AMPLE reserves the right to make changes to the design without prior notice.

DESCRIPTION
TRADE REFERENCE TERMS

STANDARD PACKING	ZHUJI SINO AMPLE METAL PRODUCTS CO., LTD.		
	TITLE SOLID MASONRY BOX 2-1/2" DEEP		
	SIZE A4	DWG NO. SACB-2250	REV A
	DATA SHEET		