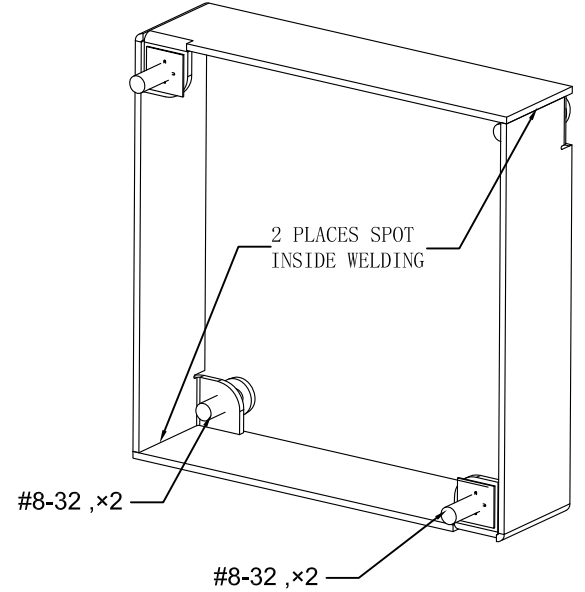
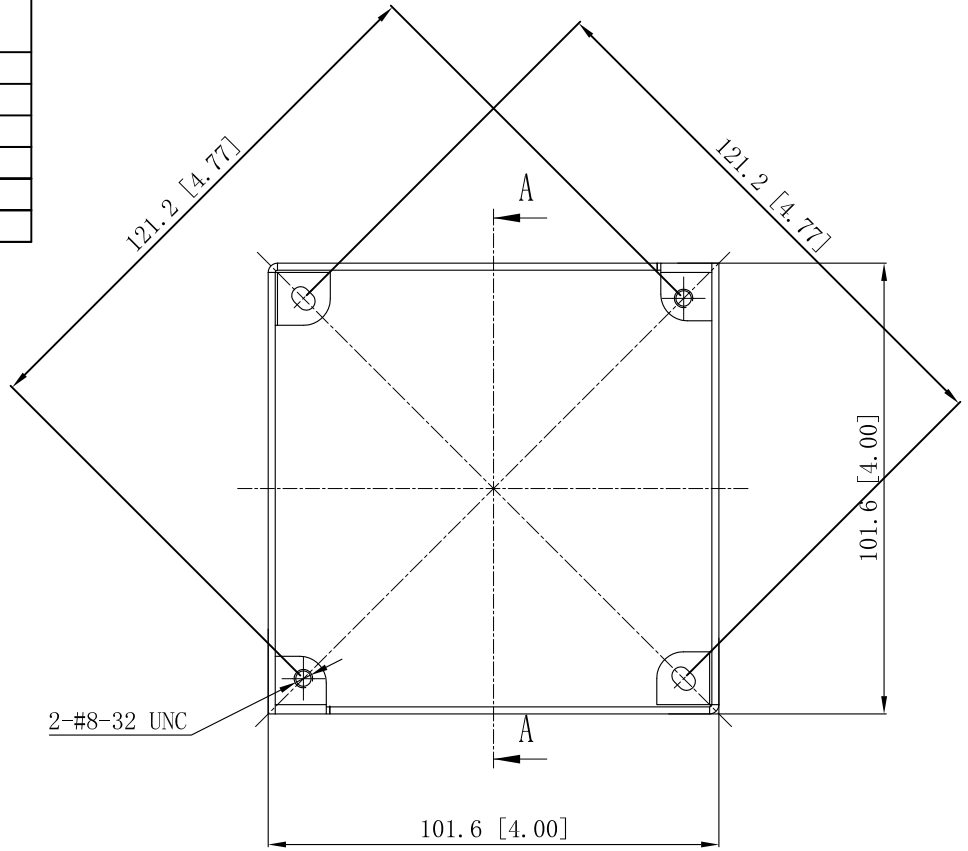
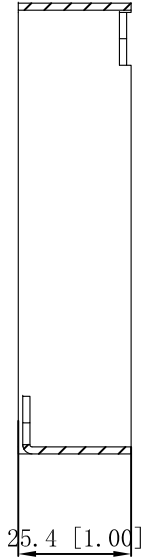


SIDES	BOTTOM
2 PCS 8-32×1/2 Screws Installed	
2 PCS 8-32×1/2, 1/8 blank Screws Installed	
Material:Steel-0.0625"-G60 Galvanized	



CUTAWAY VIEW A-A



This data sheet is for reference only .SINO AMPLE reserves the right to make changes to the design without prior notice.

DESCRIPTION
TRADE REFERENCE TERMS

STANDARD PACKING	ZHUJI SINO AMPLE METAL PRODUCTS CO. , LTD.		
	TITLE		
SIZE	DWG NO.	SABEX-4100	REV
A4			A
DATA SHEET			