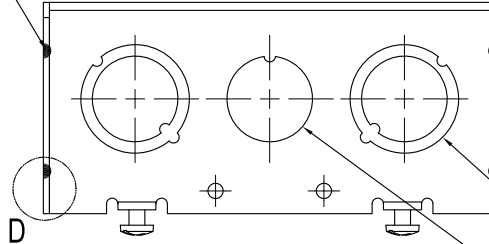


SIDES	BOTTOM
2 1/2" KNOCKOUTS	
10 1/2"-3/4" KNOCKOUTS	
2 PCS 8-32X1/2 Screws Installed	
Material:Steel-0.0625"-G60 Galvanized	

12 PLACES SPOT WELDING

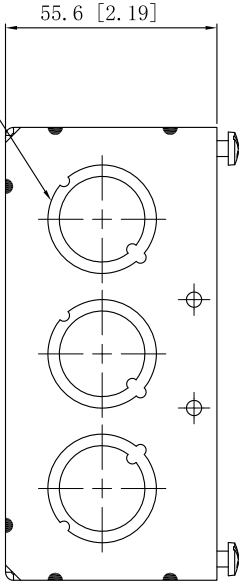


WELDING STYLE DETAIL VIEW D

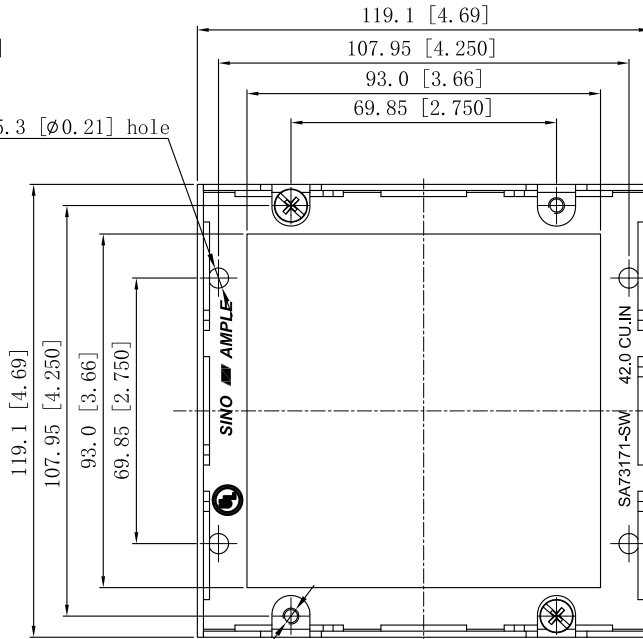


4 1/2"-3/4" MOON KNOCKOUTS $\phi=22.5$ [$\phi=0.886$]
 $\phi=28.5$ [$\phi=1.122$]
 2 1/2" KNOCKOUTS $\phi=22.5$ [$\phi=0.886$]

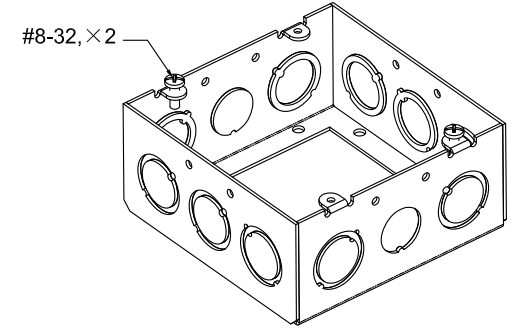
6 1/2"-3/4" MOON KNOCKOUTS $\phi=22.5$ [$\phi=0.886$]
 $\phi=28.5$ [$\phi=1.122$]



8- $\phi 5.3$ [$\phi 0.21$] hole



4-#8-32 UNC HOLE



#8-32, X2

This data sheet is for reference only. SINO AMPLE reserves the right to make changes to the design without prior notice.

DESCRIPTION
TRADE REFERENCE TERMS

STANDARD PACKING	ZHUJI SINO AMPLE METAL PRODUCTS CO., LTD.		
25 PCS	TITLE 4-11/16" SQUARE EXTENSION RINGS 2-1/8" DEEP		
	SIZE A4	DWG NO. SA73171-SW	REV A
	DATA SHEET		