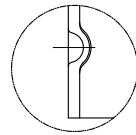
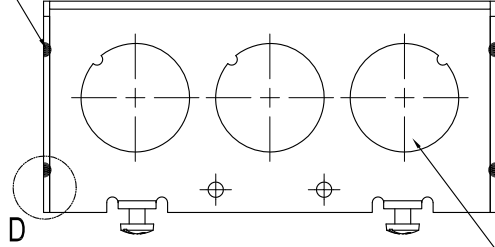


<b>SIDES</b>	<b>BOTTOM</b>
12 3/4" KNOCKOUTS	
2 PCS 8-32X1/2 Screws Installed	
Material:Steel-0.0625"-G60 Galvanized	

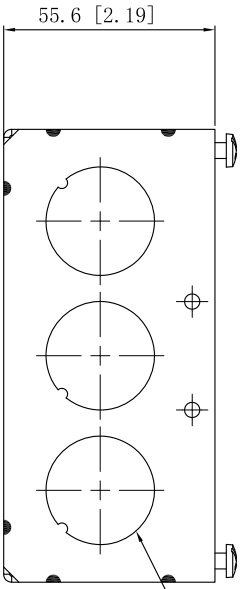
12 PLACES SPOT WELDING



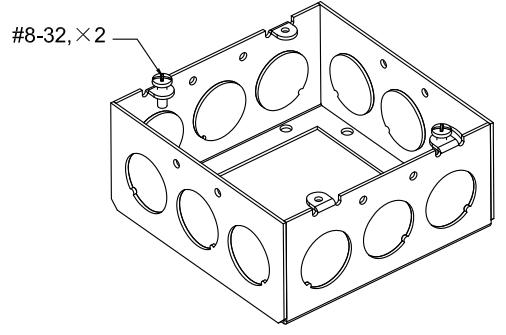
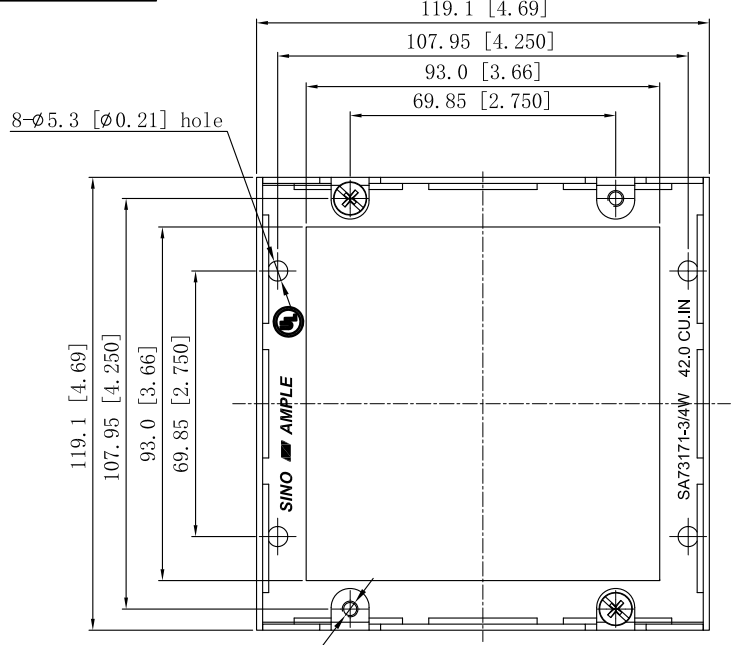
WELDING STYLE DETAIL VIEW D



6 3/4" KNOCKOUTS  $\phi=28.5$  [ $\phi=1.122$ ]



6 3/4" KNOCKOUTS  $\phi=28.5$  [ $\phi=1.122$ ]



#8-32, X2

<b>DESCRIPTION</b>
<b>TRADE REFERENCE TERMS</b>

This data sheet is for reference only.SINO AMPLE reserves the right to make changes to the design without prior notice.

<b>STANDARD PACKING</b>	<b>ZHUJI SINO AMPLE METAL PRODUCTS CO., LTD.</b>		
	TITLE 4-11/16" SQUARE EXTENSION RINGS 2-1/8" DEEP		
25 PCS	SIZE	DWG NO.	REV
	A4	SA73171-3/4W	A
DATA SHEET			