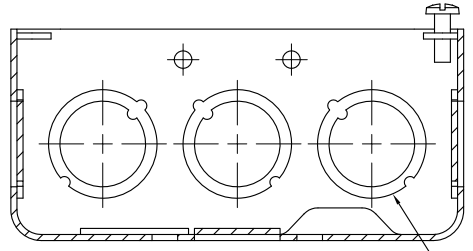
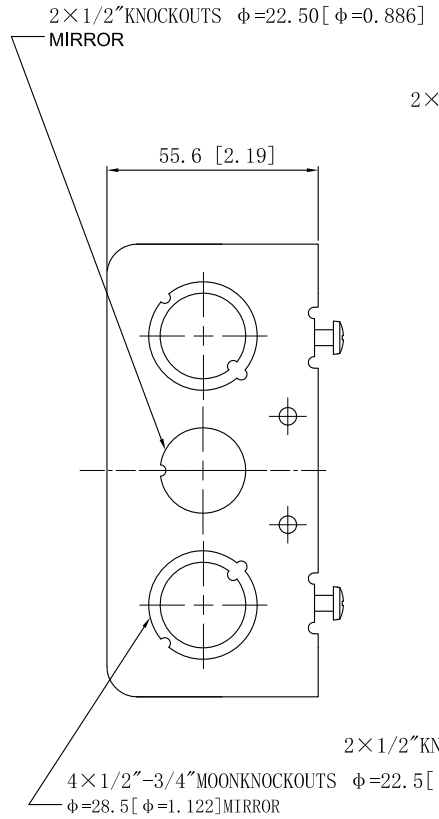
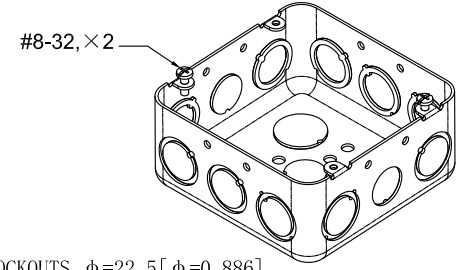


<b>SIDES</b>	<b>BOTTOM</b>
2 3/4" KNOCKOUTS	2 1/2" KNOCKOUTS
10 1/2"-3/4" MOON KNOCKOUTS	2 3/4" KNOCKOUTS
	1 Ground Hump
2 PCS 8-32x1/2 Screws Installed	
Material: Steel-0.0625"-G60 Galvanized	

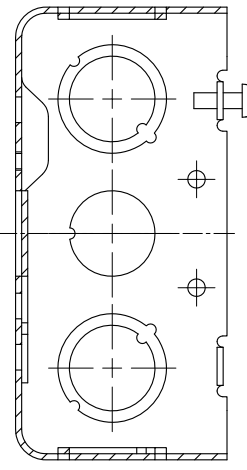
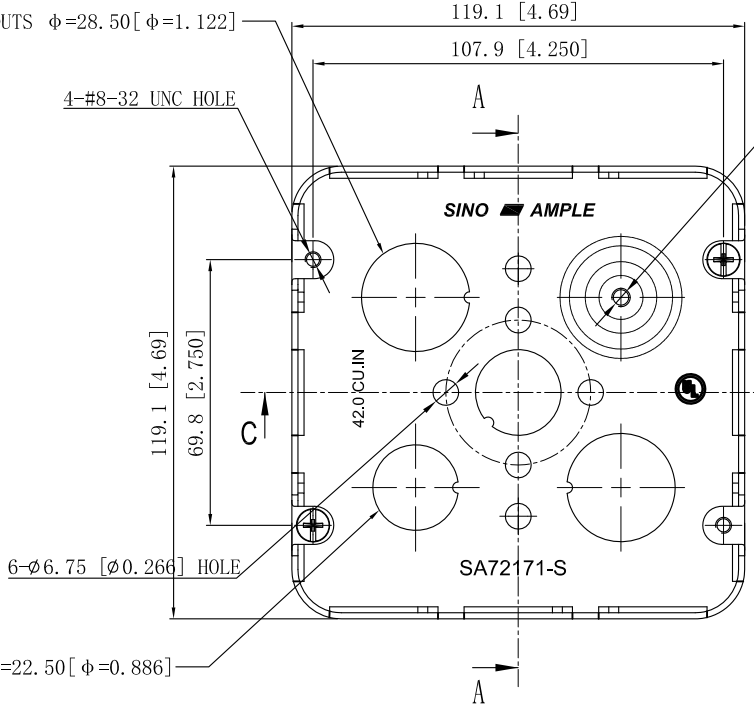


CUTAWAY VIEW C-C



2 x 3/4" KNOCKOUTS φ=28.50 [φ=1.122]

6 x 1/2"-3/4" MOON KNOCKOUTS φ=22.5 [φ=0.886]  
φ=28.5 [φ=1.122] MIRROR



CUTAWAY VIEW A-A

<b>DESCRIPTION</b>
<b>TRADE REFERENCE TERMS</b>

This data sheet is for reference only. SINO AMPLE reserves the right to make changes to the design without prior notice.

<b>STANDARD PACKING</b>	ZHUJI SINO AMPLE METAL PRODUCTS CO., LTD.		
25 PCS	TITLE 4-11/16" SQUARE "DRAWN" BOXES (2-1/8" DEEP)		
	SIZE A4	DWG NO. SA72171-S	REV A
	DATA SHEET		