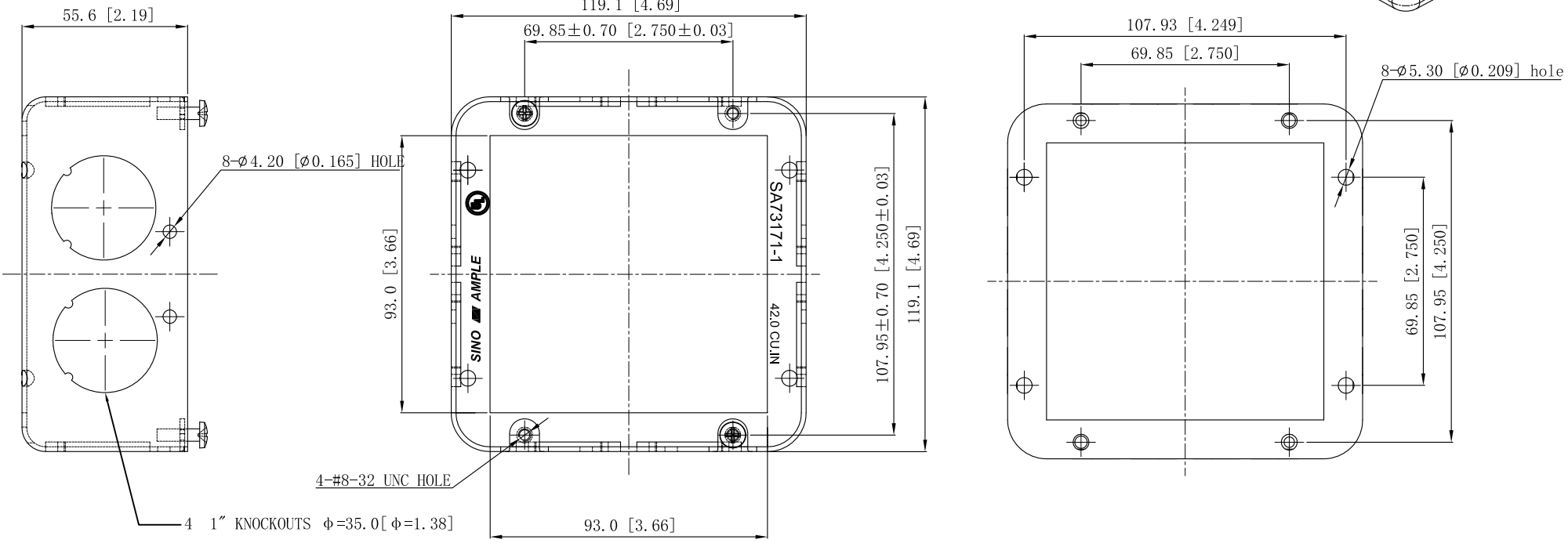
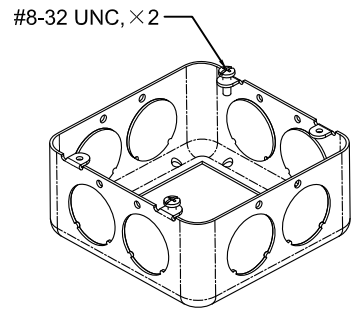
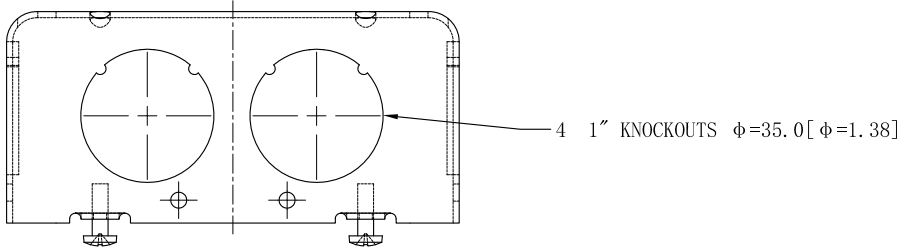


SIDES	BOTTOM
8 1" KNOCKOUTS	
2 PCS 8-32X1/2 Screws Installed	
Material:Steel-0.0625"-G60 Galvanized	



This data sheet is for reference only. SINO AMPLE reserves the right to make changes to the design without prior notice.

DESCRIPTION
TRADE REFERENCE TERMS

STANDARD PACKING
25 PCS

ZHUJI SINO AMPLE METAL PRODUCTS CO., LTD.		
TITLE 4-11/16" SQUARE EXTENSION RINGS 2-1/8" DEEP		
SIZE A4	DWG NO. SA73171-1	REV A
DATA SHEET		