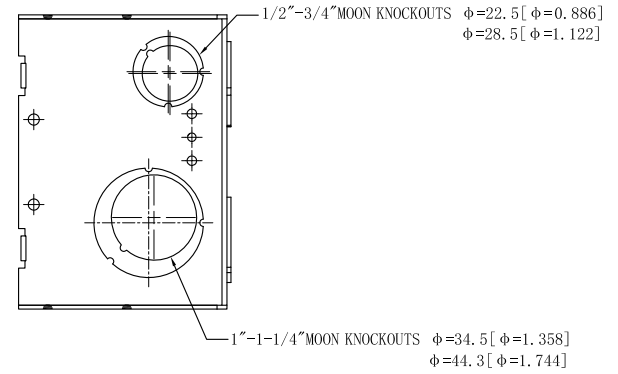
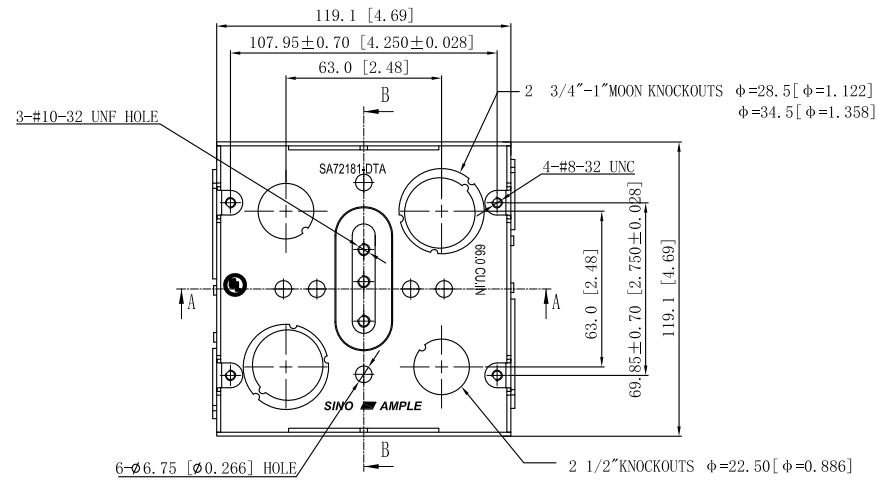
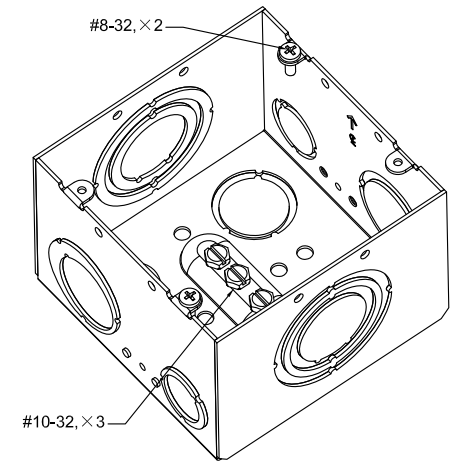
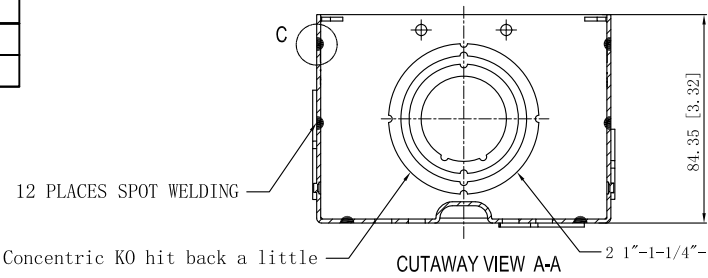
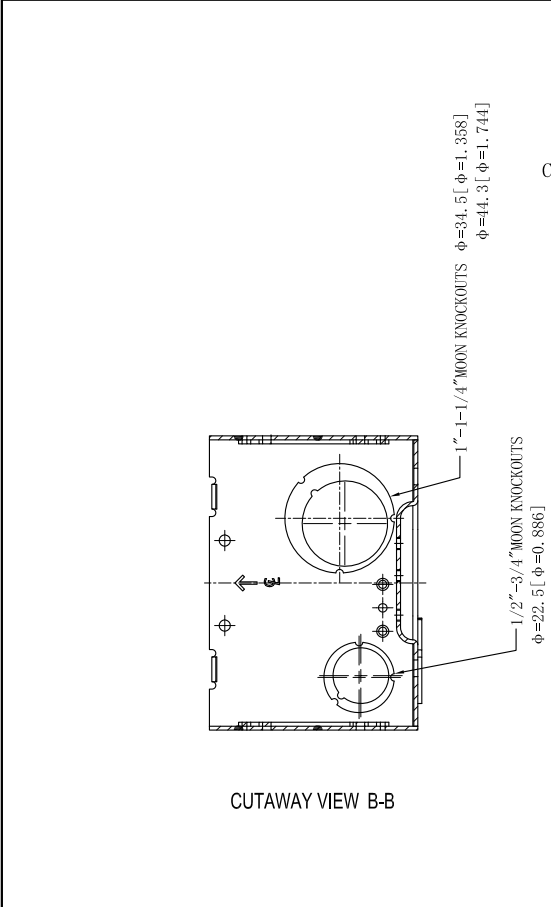


SIDES	BOTTOM
2 1/2"-3/4" MOON KNOCKOUTS	2 1/2" KNOCKOUTS
2 1"-1-1/4" MOON KNOCKOUTS	2 3/4"-1" MOON KNOCKOUTS
2 1"-1-1/4"-1-1/2"-2" MOON KNOCKOUTS	1 Ground Hump
2 pcs #8-32 X 1/2 Screws Installed	
3 pcs #10-32 X 3/8 Screws Installed	
Material: Steel-0.0625"-G60 Galvanized	



This data sheet is for reference only .SINO AMPLE reserves the right to make changes to the design without prior notice.

DESCRIPTION
TRADE REFERENCE TERMS

STANDARD PACKING	ZHUJI SINO AMPLE METAL PRODUCTS CO., LTD.		
	TITLE	4-11/16" BOX WITH MULTIPLE KO CONFUGURATIUNS 3-1/4" DEEP	
25 PCS	SIZE	DWG NO.	REV
	A4	SA72181-DTA	A
DATA SHEET			