

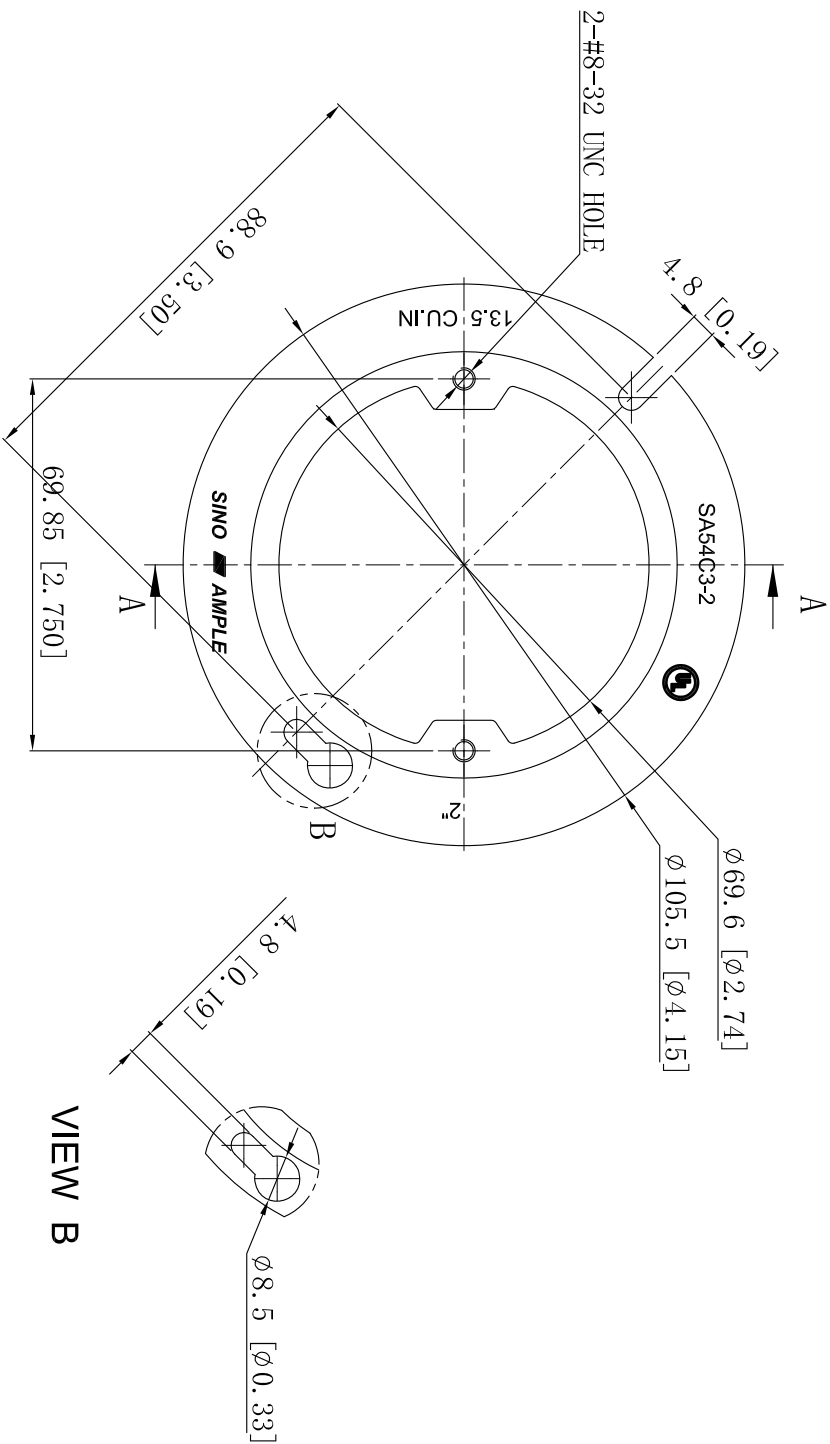
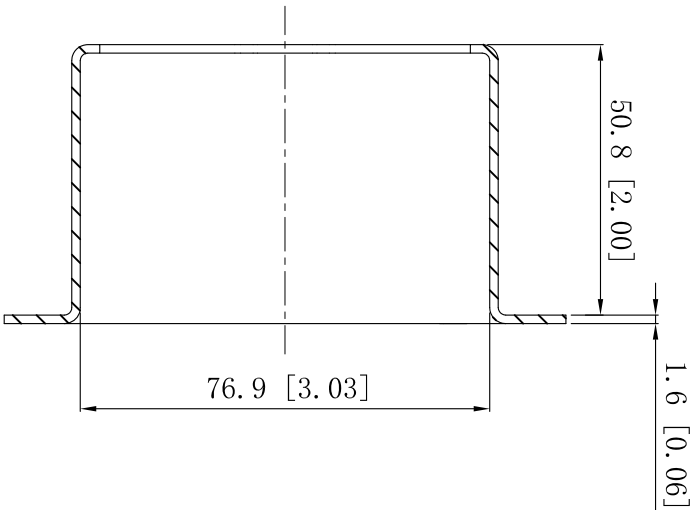
SIDES

BOTTOM

UL File #

E508835

Material: Steel-0.0625"-(660 or C.R.S) Galvanized



This data sheet is for reference only. SINO AMPLE reserves the right to make changes to the design without prior notice.

DESCRIPTION

STANDARD PACKING

ZHUJI SINO AMPLE METAL PRODUCTS CO., LTD.

TITLE

4"OCTAGON BOX COVERS

TRADE REFERENCE TERMS

25 PCS

SIZE

A4

DWG NO.

SA54C3-2

REV

A

DATA SHEET