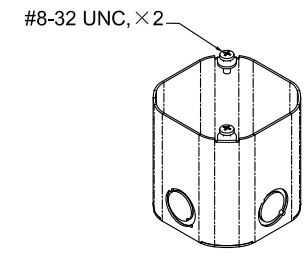
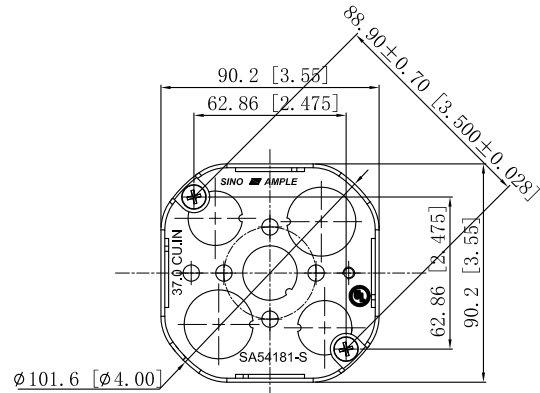
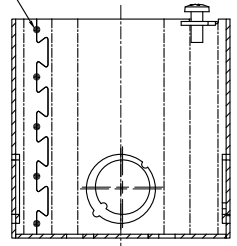


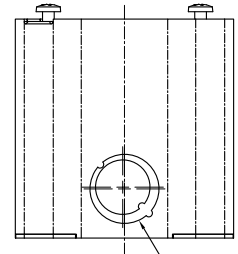
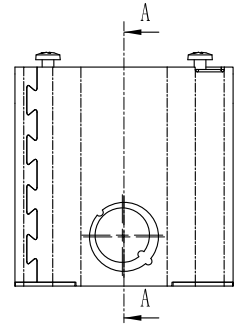
<b>SIDES</b>	<b>BOTTOM</b>
4 1/2"-3/4" MOON KNOCKOUTS	3 1/2" KNOCKOUTS
	2 3/4" KNOCKOUTS
2 PCS 8-32x1/2 Screws Installed	
Material:Steel-0.0625"-G60 Galvanized	



5 PLACES SPOT WELDING

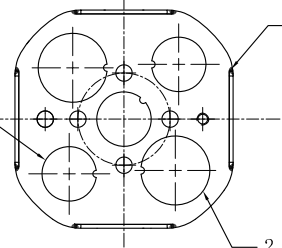


CUTAWAY VIEW A-A



4 1/2"-3/4" MOONKNOCKOUTS  $\phi=22.50$  [ $\phi=0.886$ ]  
 $\phi=28.50$  [ $\phi=1.122$ ]

3 1/2" KNOCKOUTS  $\phi=22.50$  [ $\phi=0.886$ ]



8 PLACES SPOT WELDING

2 3/4" KNOCKOUTS  $\phi=28.50$  [ $\phi=1.122$ ]

This data sheet is for reference only . SINO AMPLE reserves the right to make changes to the design without prior notice.

TRADE REFERENCE TERMS

STANDARD PACKING	ZHUJI SINO AMPLE METAL PRODUCTS CO. , LTD.		
	TITLE 3-1/2" DEEP WITH CONDUIT KNOCKOUTS		
25 PCS	SIZE A4	DWG NO. SA54181-S	REV A
	DATA SHEET		