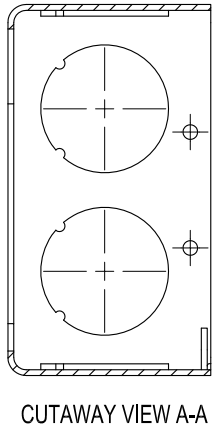
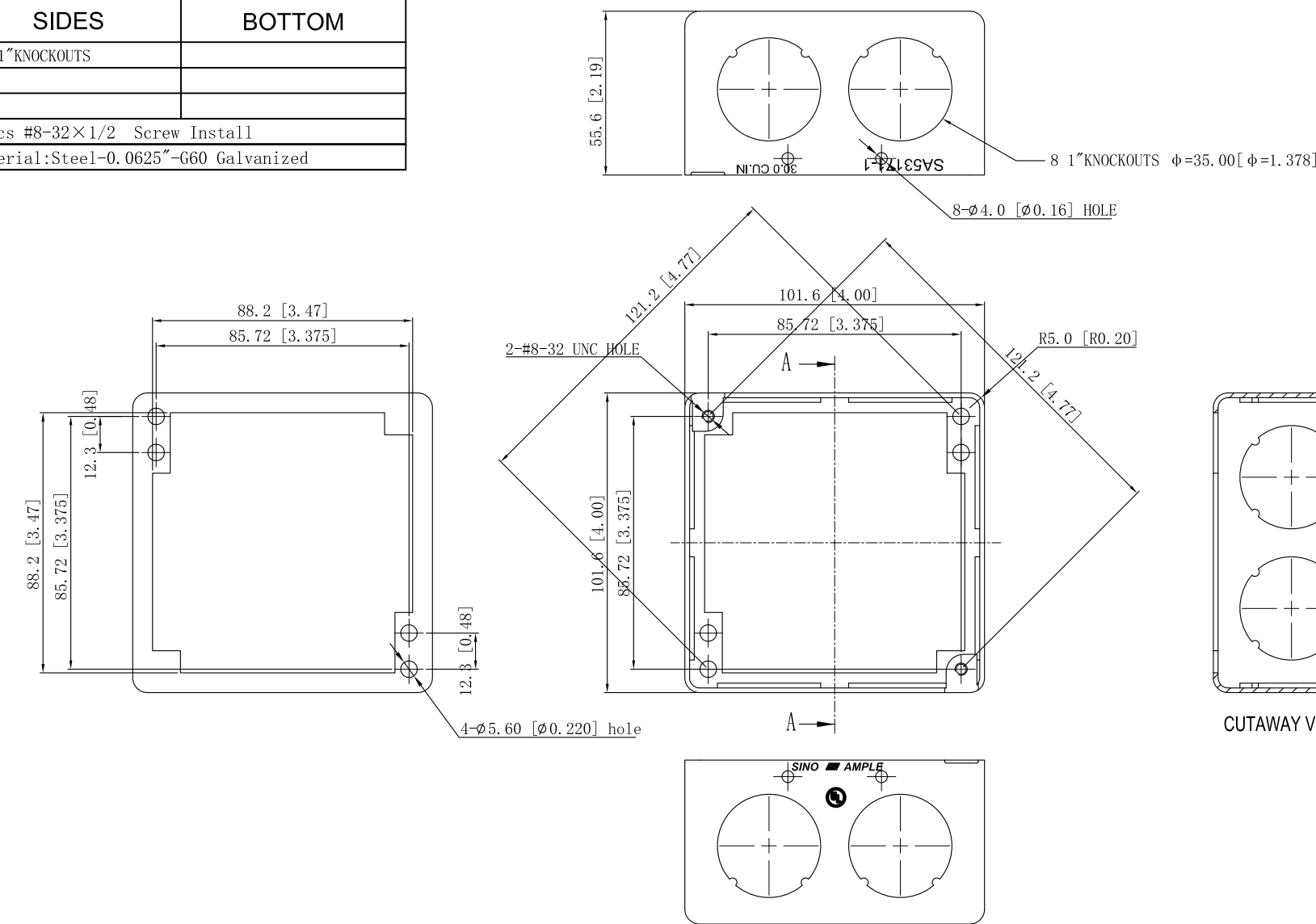


<b>SIDES</b>	<b>BOTTOM</b>
8 1" KNOCKOUTS	
2 Pcs #8-32x1/2 Screw Install	
Material: Steel-0.0625"-G60 Galvanized	

**UL File #** E508835



This data sheet is for reference only .SINO AMPLE reserves the right to make changes to the design without prior notice.

<b>DESCRIPTION</b>
<b>TRADE REFERENCE TERMS</b>

<b>STANDARD PACKING</b>
25 PCS

<b>ZHUJI SINO AMPLE METAL PRODUCTS CO., LTD.</b>		
TITLE 4" SQUARE EXTENSION RINGS 2-1/8" DEEP		
SIZE A4	DWG NO. SA53171-1	REV A
DATA SHEET		