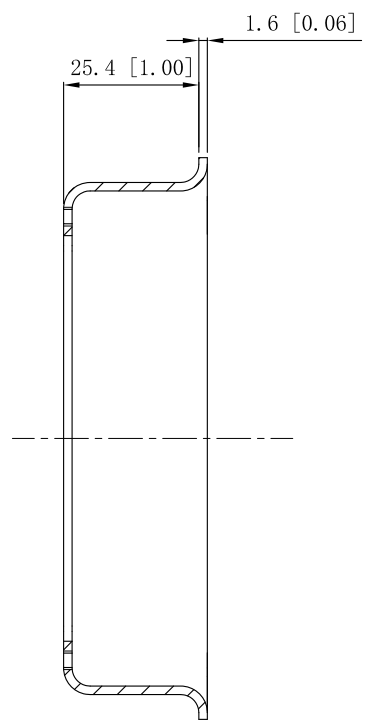
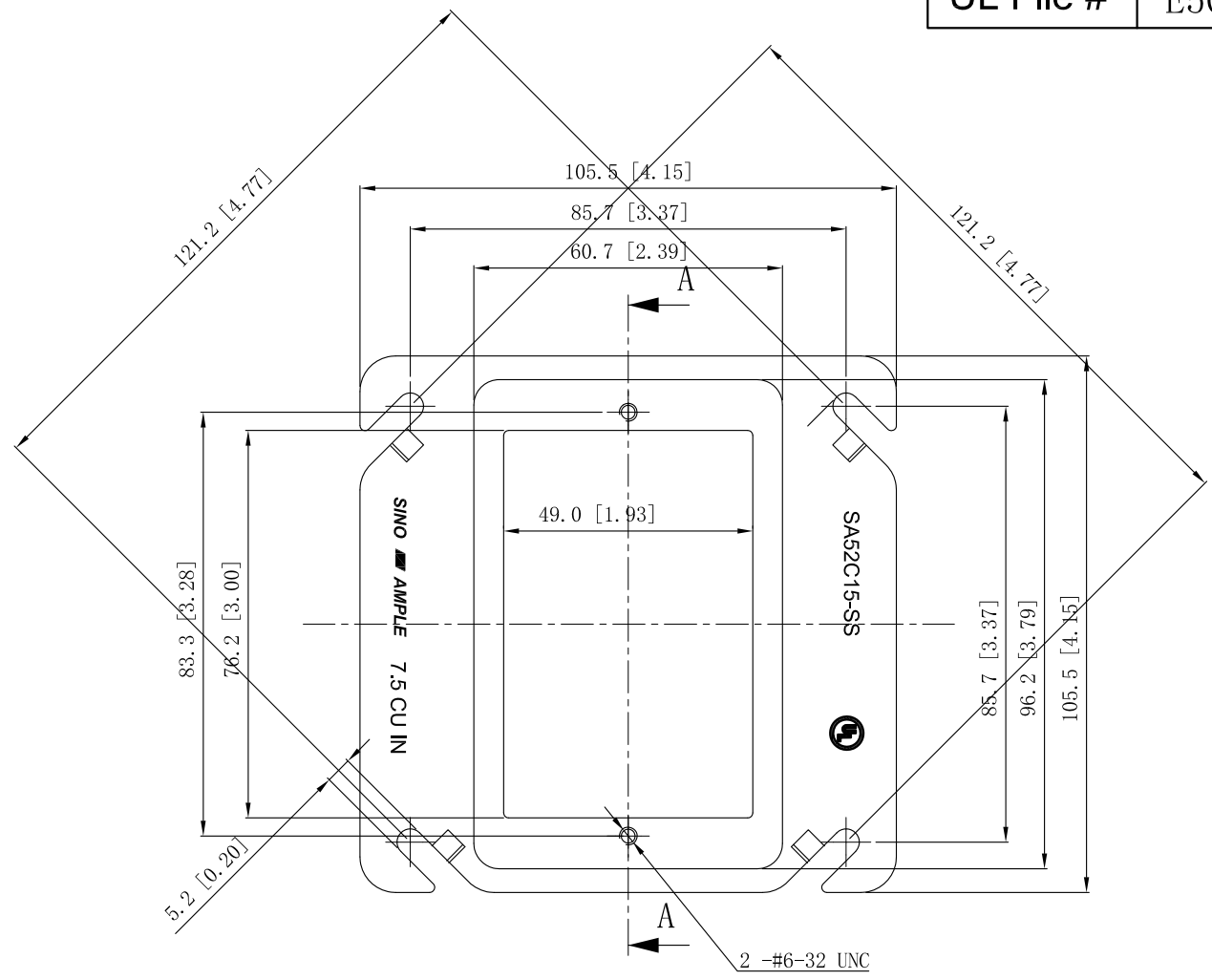


SIDES	BOTTOM
Material:0.051~0.059- stainless steel 316	



CUTAWAY VIEW A-A



This data sheet is for reference only .SINO AMPLE reserves the right to make changes to the design without prior notice.

DESCRIPTION
TRADE REFERENCE TERMS

STANDARD PACKING
25 PCS

ZHUJI SINO AMPLE METAL PRODUCTS CO. , LTD.		
TITLE 4" SQURE ONE-DEVICE TILE COVERS		
SIZE A4	DWG NO. SA52C15-SS	REV A
DATA SHEET		