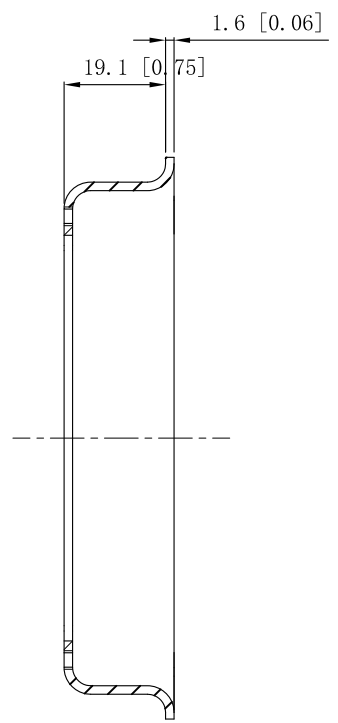
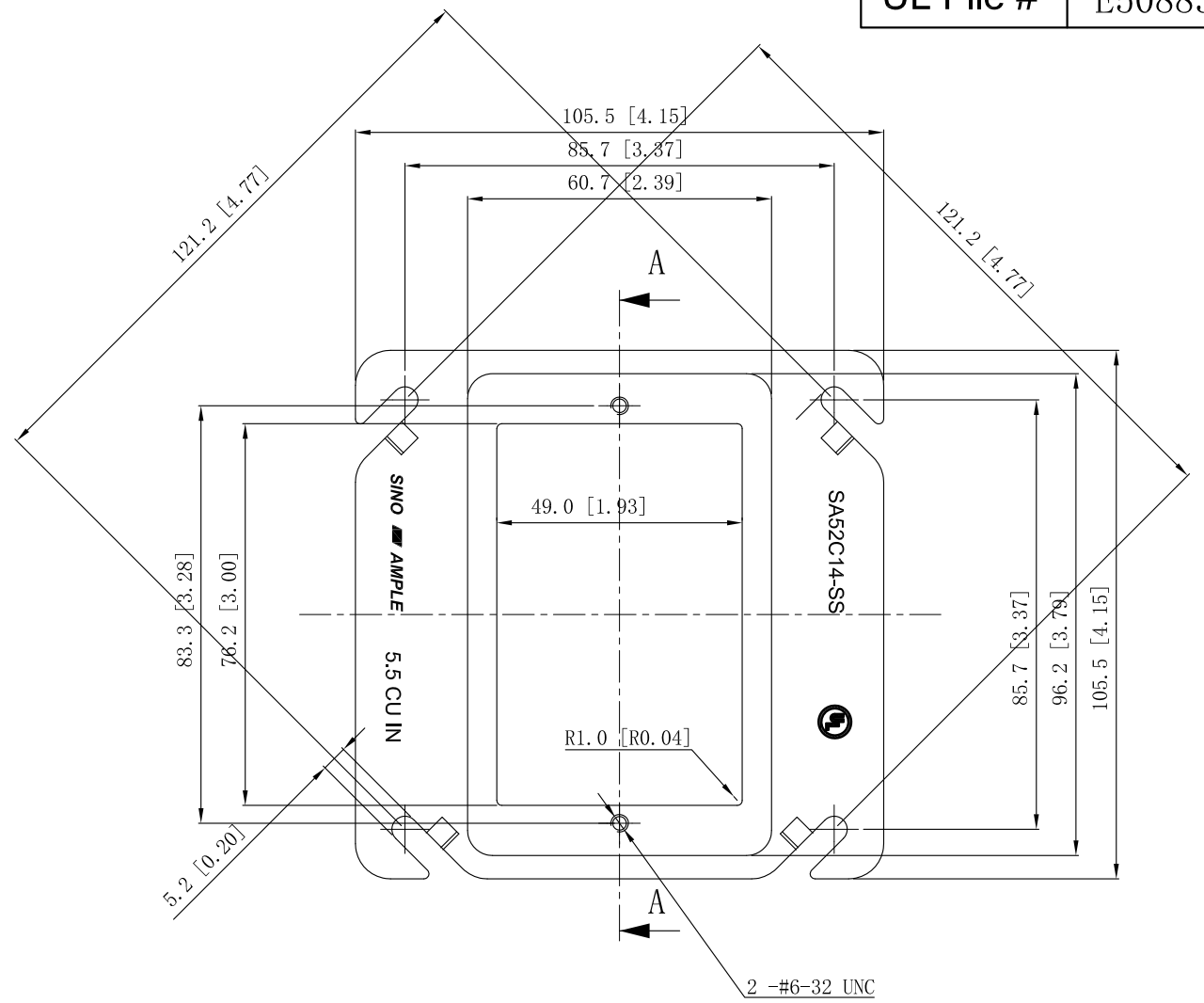


| | |
|-------|--------|
| SIDES | BOTTOM |
| | |
| | |
| | |

Material: 0.051~0.059- stainless steel 316



CUTAWAY VIEW A-A



This data sheet is for reference only .SINO AMPL reserves the right to make changes to the design without prior notice.

| |
|-----------------------|
| DESCRIPTION |
| |
| |
| TRADE REFERENCE TERMS |
| |

| | | | |
|------------------|---|-----------------------|----------|
| STANDARD PACKING | ZHUJI SINO AMPL METAL PRODUCTS CO., LTD. | | |
| 25 PCS | TITLE 4" SQUARE ONE-DEVICE TILE COVERS | | |
| | SIZE A4 | DWG NO. SA52C14-SS | REV A |
| DATA SHEET | | | |