

SIDES

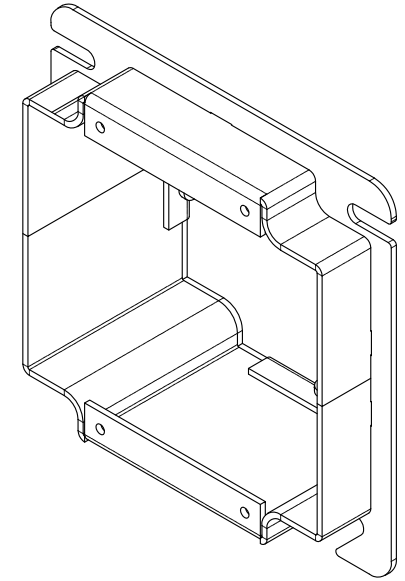
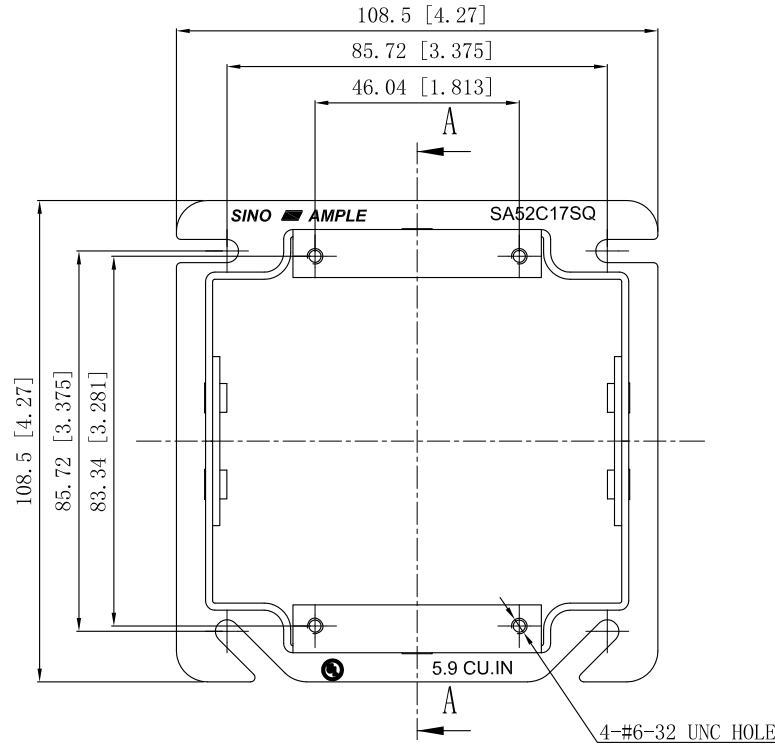
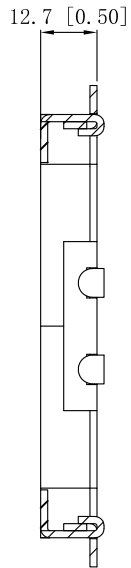
BOTTOM

UL File #

E508835

Material: Steel-0.0625"-G60 Galvanized

12.7 [0.50]



CUTAWAY VIEW A-A

This data sheet is for reference only .SINO AMPLE reserves the right to make changes to the design without prior notice.

DESCRIPTION
TRADE REFERENCE TERMS

STANDARD PACKING	ZHUJI SINO AMPLE METAL PRODUCTS CO., LTD.		
25 PCS	TITLE 4" SQUARE TWO-GANG DEVICE TILE COVERS		
	SIZE A4	DWG NO. SA52C17SQ	REV A
DATA SHEET			