

SIDES	BOTTOM
4 3/4" KNOCKOUTS	2 1/2" KNOCKOUTS
4 1" KNOCKOUTS	2 3/4" KNOCKOUTS
8 1/2"-3/4" MOON KNOCKOUTS	1 Ground Hump
2 PCS #8-32×1/2 Screws Installed	
Material: Steel-0.0625"-C.R.S, red powder coating	

12 PLACES SPOT WELDING

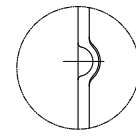
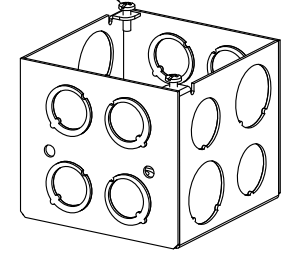
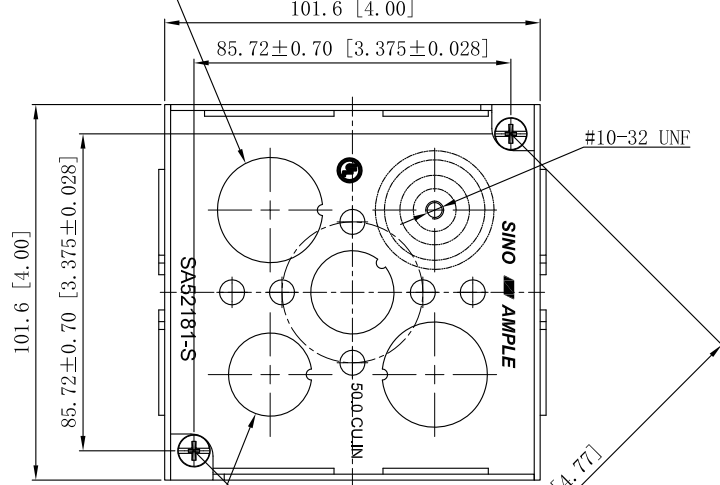
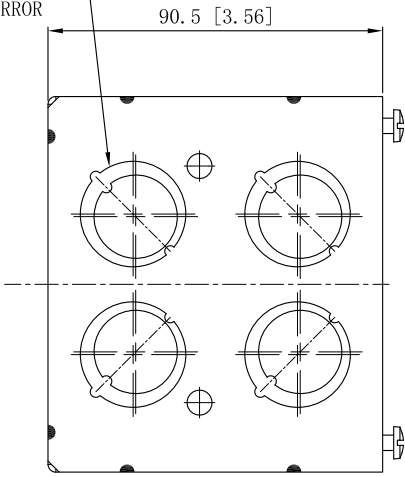
4 1" KNOCKOUTS $\phi=35.00[\phi=1.378]$ MORROR

4 3/4" KNOCKOUTS $\phi=28.5[\phi=1.122]$ MORROR

#8-32 UNC, ×2

8 1/2"-3/4" KNOCKOUTS $\phi=22.50[\phi=0.886]$
 $\phi=28.50[\phi=1.122]$ MORROR

2 3/4" KNOCKOUTS $\phi=28.50[\phi=1.122]$



WELDING STYLE DETAIL VIEW D

2 1/2" KNOCKOUTS $\phi=22.5[\phi=0.89]$

This data sheet is for reference only . SINO AMPLE reserves the right to make changes to the design without prior notice.

DESCRIPTION
TRADE REFERENCE TERMS

STANDARD PACKING	ZHUJI SINO AMPLE METAL PRODUCTS CO., LTD.		
	TITLE	4" SQUARE BOXES 3-1/2" DEEP	
10 PCS	SIZE	DWG NO.	REV
	A4	SA52181-RED	A
DATA SHEET			