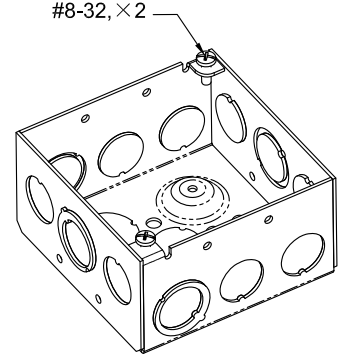
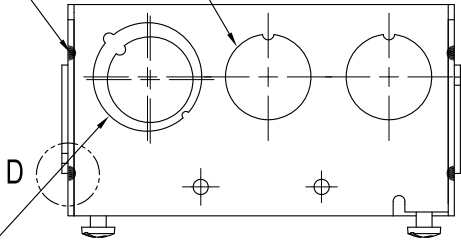


UL File # E508835

SIDES	BOTTOM
8 1/2" KNOCKOUTS	2 1/2" KNOCKOUTS
4 1/2"-3/4" MOON KNOCKOUTS	2 3/4" KNOCKOUTS
	1 Ground Hump
2 PCS 8-32X1/2 Screws Installed	
Material:Steel-0.0625"-G60 Galvanized	

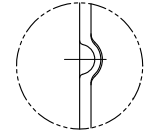
4 1/2" KNOCKOUTS $\phi=22.50$ [$\phi=0.886$]

12 PLACES SPOT WELDING



2 1/2"-3/4" MOON KNOCKOUTS $\phi=22.50$ [$\phi=0.886$]
 $\phi=28.50$ [$\phi=1.122$]

2 3/4" KNOCKOUTS $\phi=28.50$ [$\phi=1.122$]

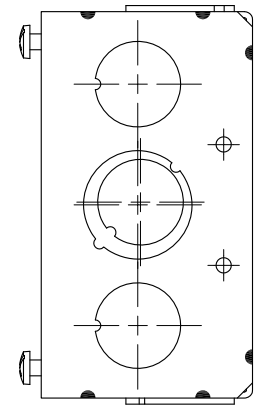
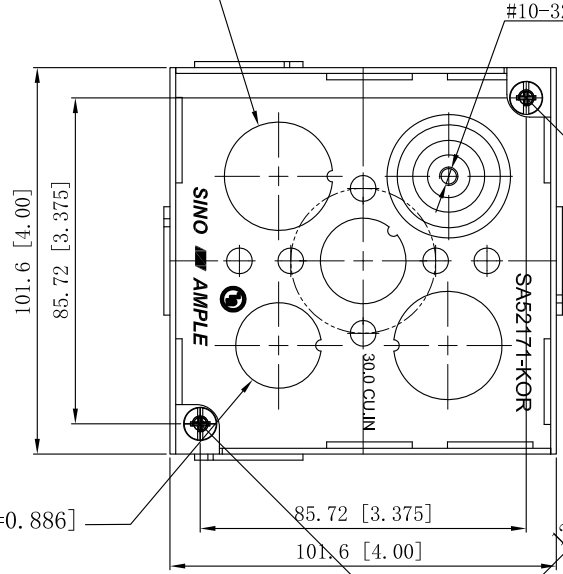
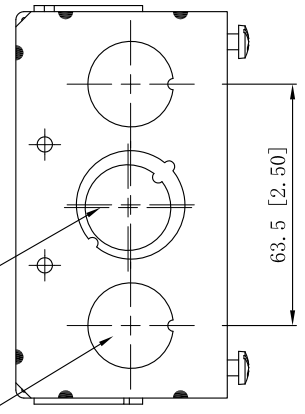


WELDING STYLE DETAIL VIEW D

2 1/2"-3/4" MOON KNOCKOUTS $\phi=22.50$ [$\phi=0.886$]
 $\phi=28.50$ [$\phi=1.122$]

4 1/2" KNOCKOUTS $\phi=22.50$ [$\phi=0.886$]

2 1/2" KNOCKOUTS $\phi=22.50$ [$\phi=0.886$]



This data sheet is for reference only. SINO AMPLE reserves the right to make changes to the design without prior notice.

DESCRIPTION
TRADE REFERENCE TERMS

STANDARD PACKING
25 PCS

ZHUJI SINO AMPLE METAL PRODUCTS CO., LTD.			
TITLE 4" SQUARE BOXES 2-1/8" DEEP			
SIZE A4	DWG NO.	SA52171-KOR	REV A
DATA SHEET			