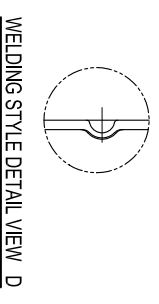
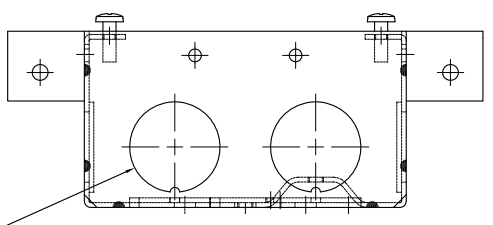
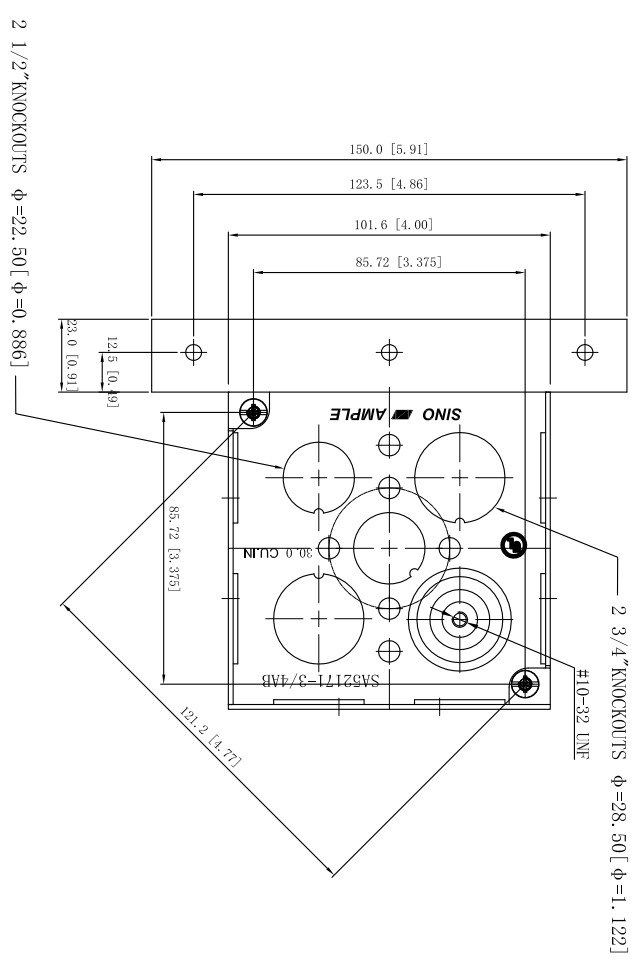
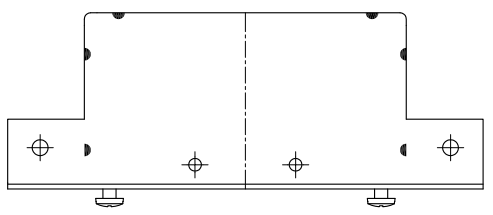
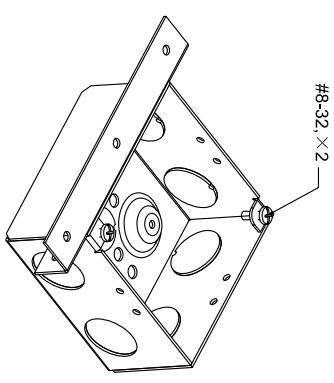
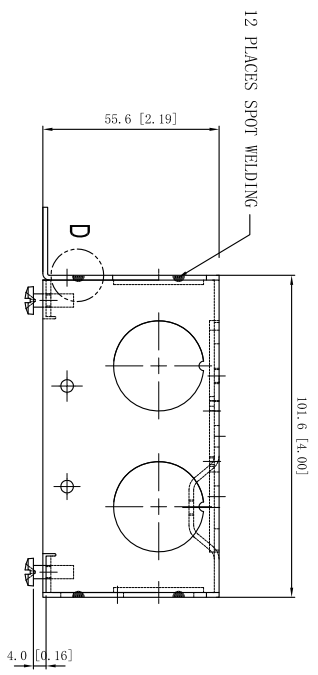


SIDES	BOTTOM
6 3/4" KNOCKOUTS	2 1/2" KNOCKOUTS
	2 3/4" KNOCKOUTS
	1 Ground Hump
2 PCS 8-32X1/2 Screws Installed	
Material: Steel-0.0625"-660 Galvanized	

UL File # E508835



This data sheet is for reference only. SINO AMPLE reserves the right to make changes to the design without prior notice.

STANDARD PACKING

TITLE
ZHUJI SINO AMPLE METAL PRODUCTS CO., LTD.

4IN SqBx 2-1/8D 3/4IS ko & AB

DESCRIPTION
TRADE REFERENCE TERMS

SIZE	DWG NO.	REV
A4	52171-3/4AB	A

DATA SHEET