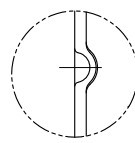
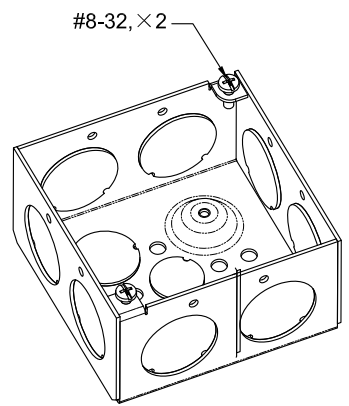
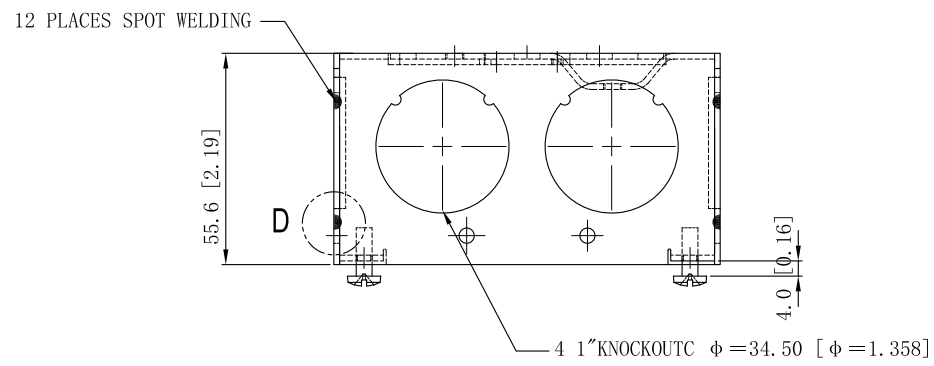
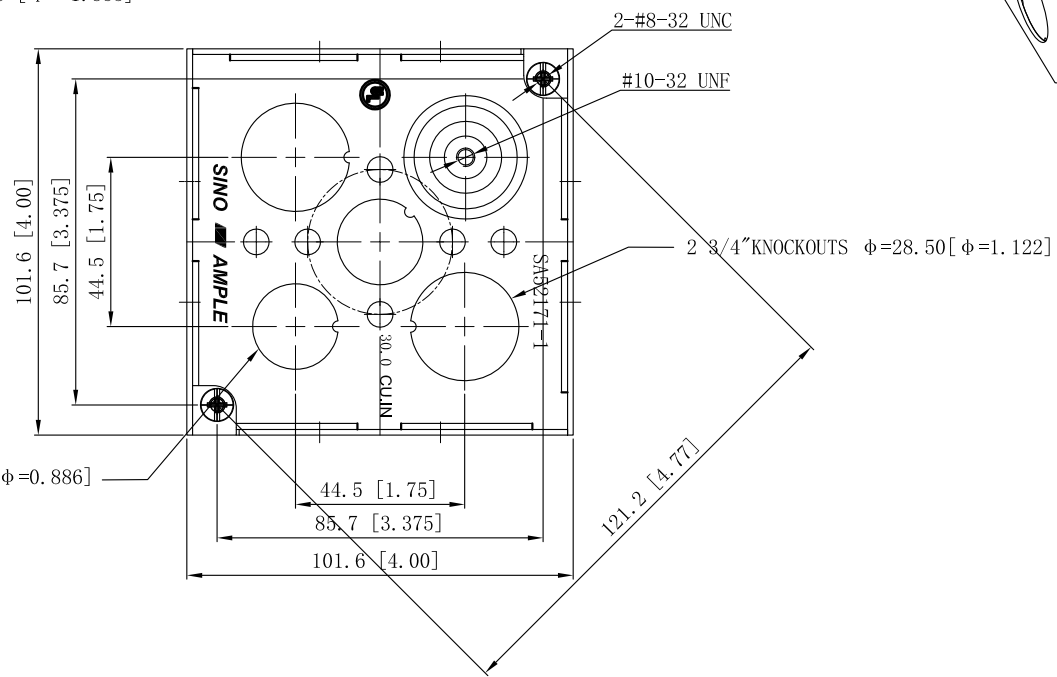
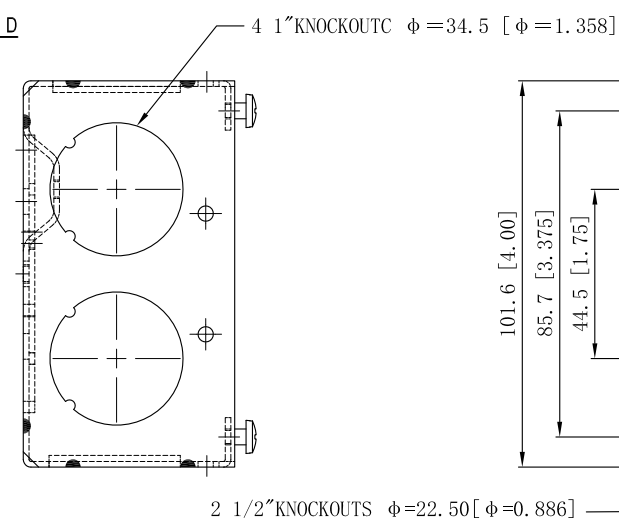


SIDES	BOTTOM
8 1" KNOVEOUTS	2 1/2" KNOVEOUTS
	2 3/4" KNOVEOUTS
	1 Ground Hump
2 PCS 8-32×1/2 Screws Installed	
Material:Steel-0.0625"-G60 Galvanized, red powder coating	

UL File # E508835



WELDING STYLE DETAIL VIEW D



This data sheet is for reference only. SINO AMPLE reserves the right to make changes to the design without prior notice.

DESCRIPTION
TRADE REFERENCE TERMS

STANDARD PACKING	ZHUJI SINO AMPLE METAL PRODUCTS CO., LTD.		
25 PCS	TITLE 4" SQUARE BOXES 2-1/8" DEEP		
	SIZE A4	DWG NO. SA52171-1RED	REV A
	DATA SHEET		