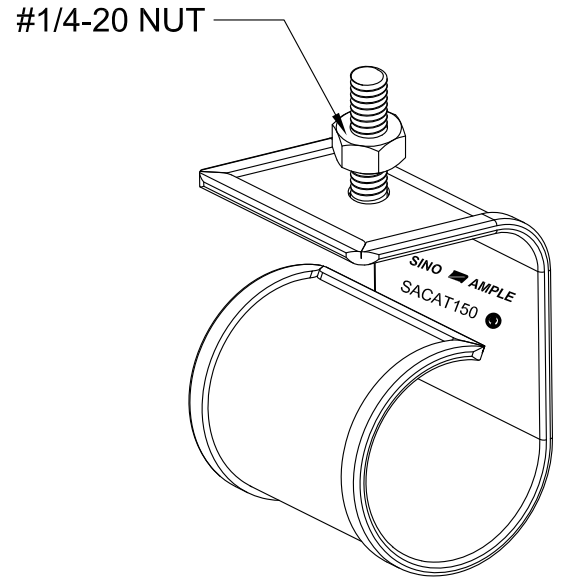
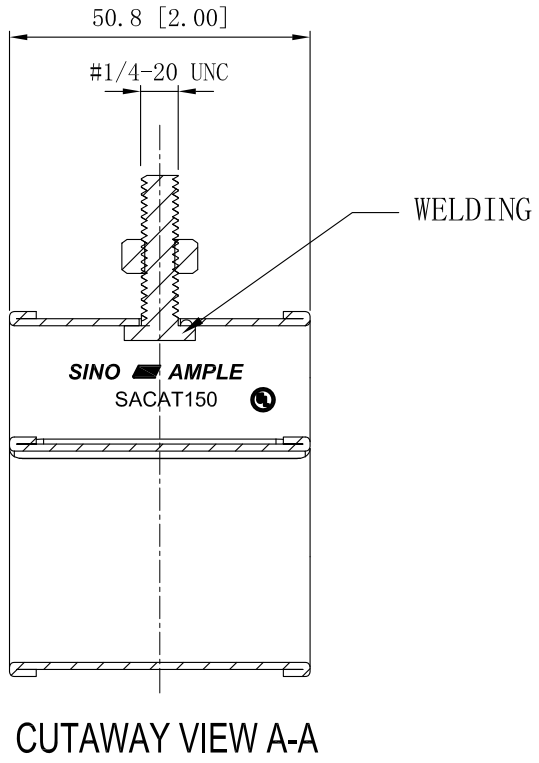
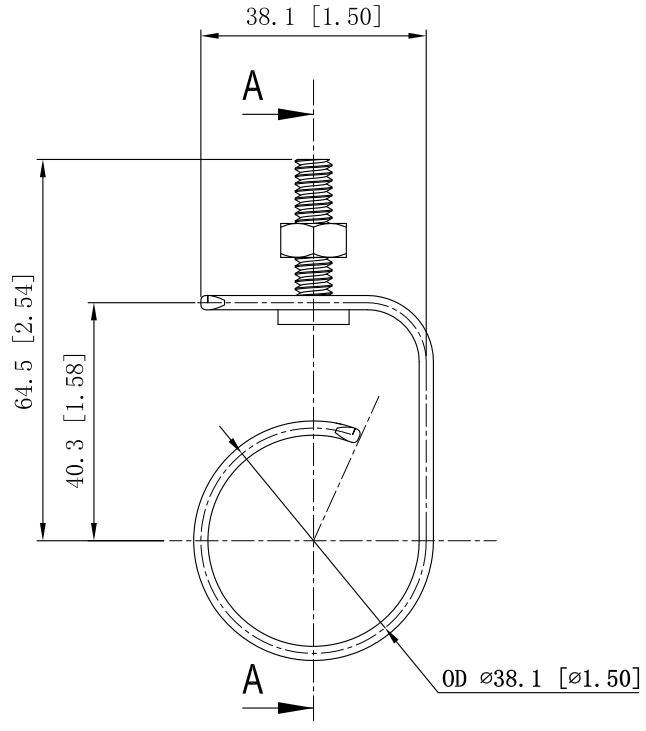


SIDES	BOTTOM
1 PC #1/4"-20 Hex Nut Installed	
Material:Steel-0.047"-Galvanized	



DESCRIPTION
TRADE REFERENCE TERMS

This data sheet is for reference only .SINO AMPLE reserves the right to make changes to the design without prior notice.

STANDARD PACKING	ZHUJI SINO AMPLE METAL PRODUCTS CO. , LTD.		
50 pcs	TITLE CAT WIRE RINGS		
	SIZE A4	DWG NO. SACAT150	REV A
	DATA SHEET		