

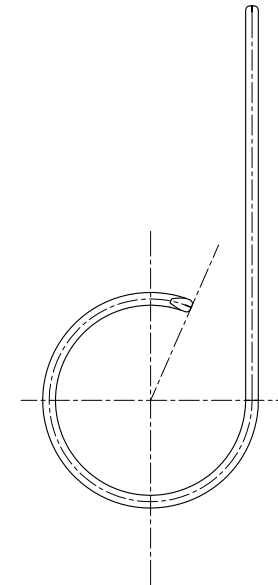
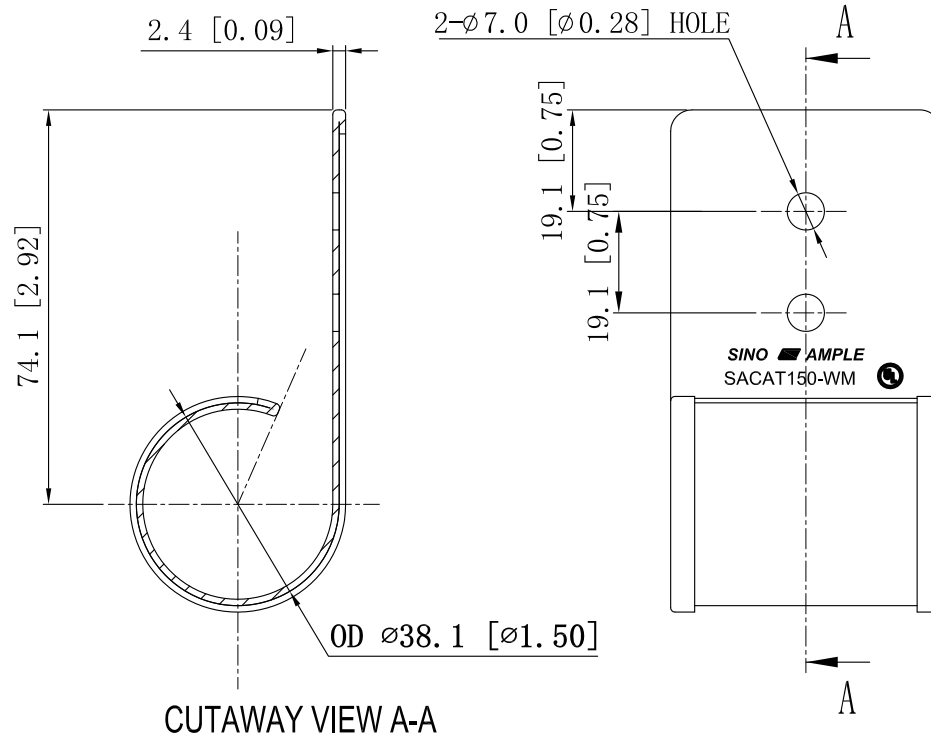
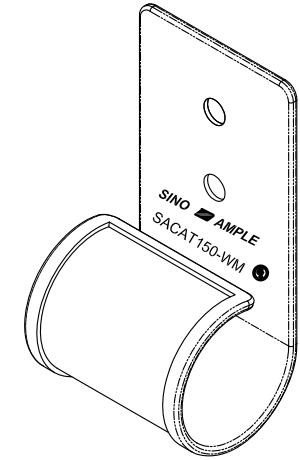
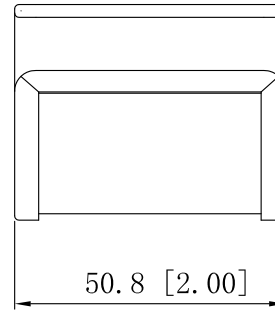
SIDES

BOTTOM

UL File #

E510054

Material:Steel-0.047"-Galvanized



This data sheet is for reference only .SINO AMPLE reserves the right to make changes to the design without prior notice.

DESCRIPTION

STANDARD PACKING

ZHUJI SINO AMPLE METAL PRODUCTS CO., LTD.

TITLE

CAT WIRE RINGS

TRADE REFERENCE TERMS

SIZE

A4

DWG NO.

SACAT150-WM

REV

A

DATA SHEET