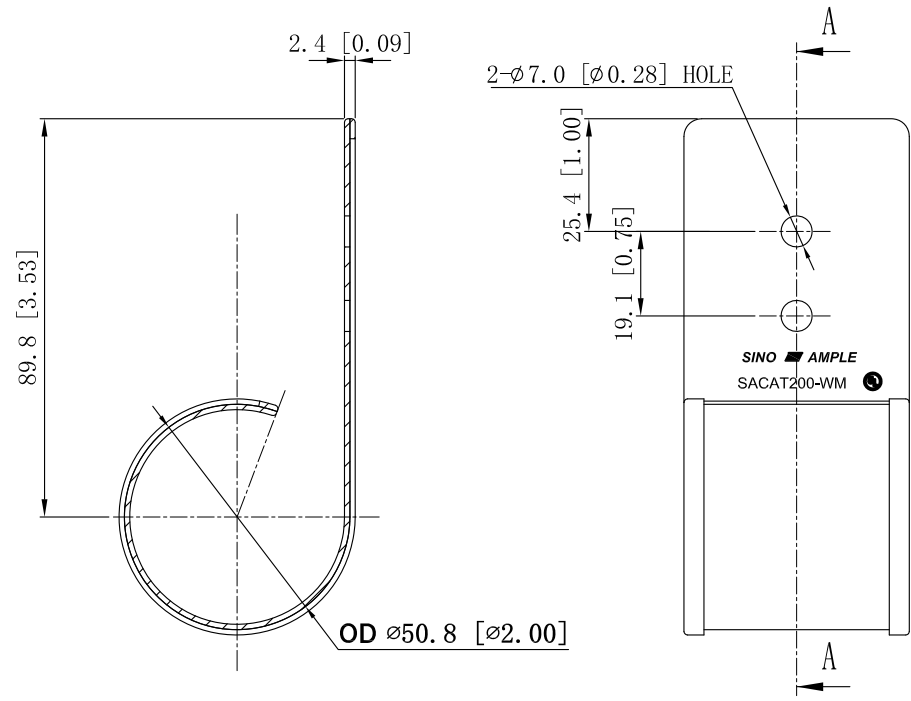
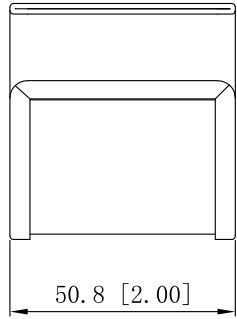
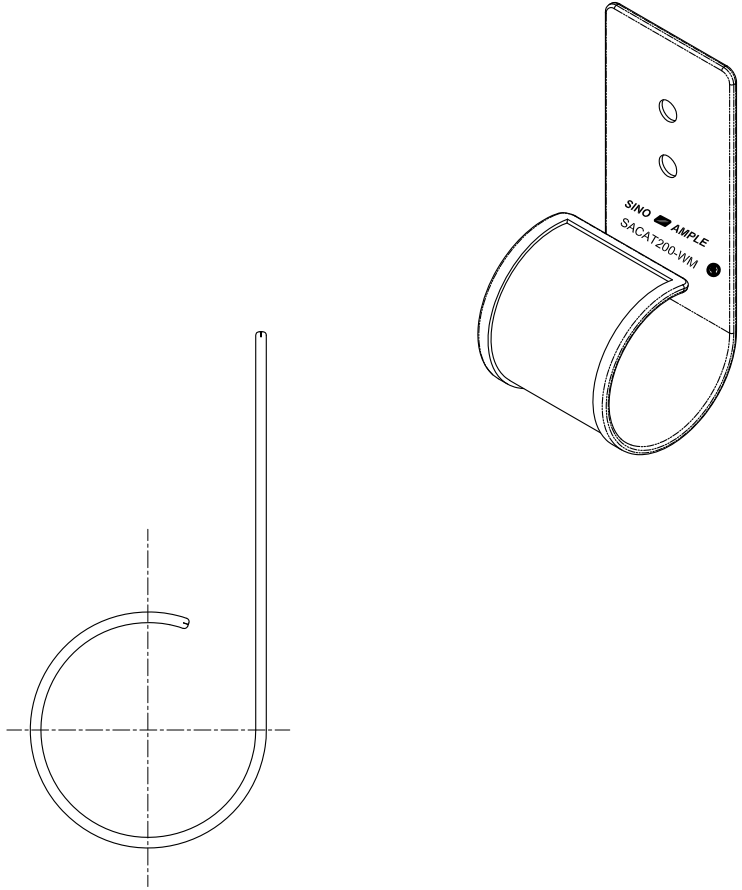


SIDES	BOTTOM
Material: Steel-0.047"-Galvanized	



CUTAWAY VIEW A-A



DESCRIPTION
TRADE REFERENCE TERMS

This data sheet is for reference only .SINO AMPLE reserves the right to make changes to the design without prior notice.

STANDARD PACKING	ZHUJI SINO AMPLE METAL PRODUCTS CO., LTD.		
	TITLE CAT WIRE RINGS		
	SIZE A4	DWG NO. SACAT200-WM	REV A
	DATA SHEET		