

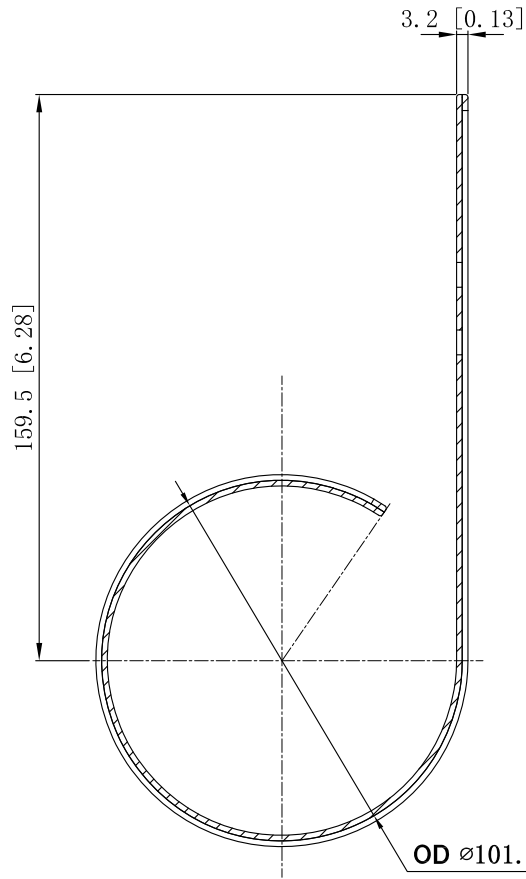
SIDES

BOTTOM

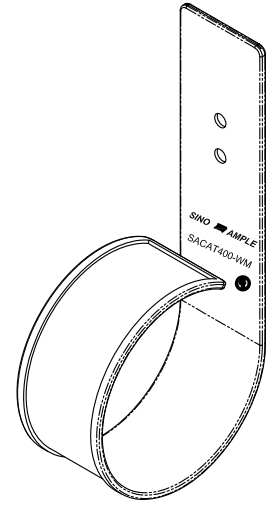
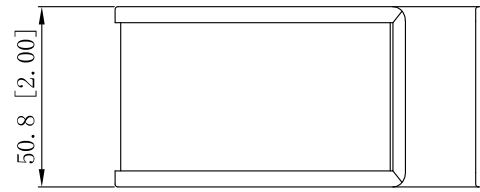
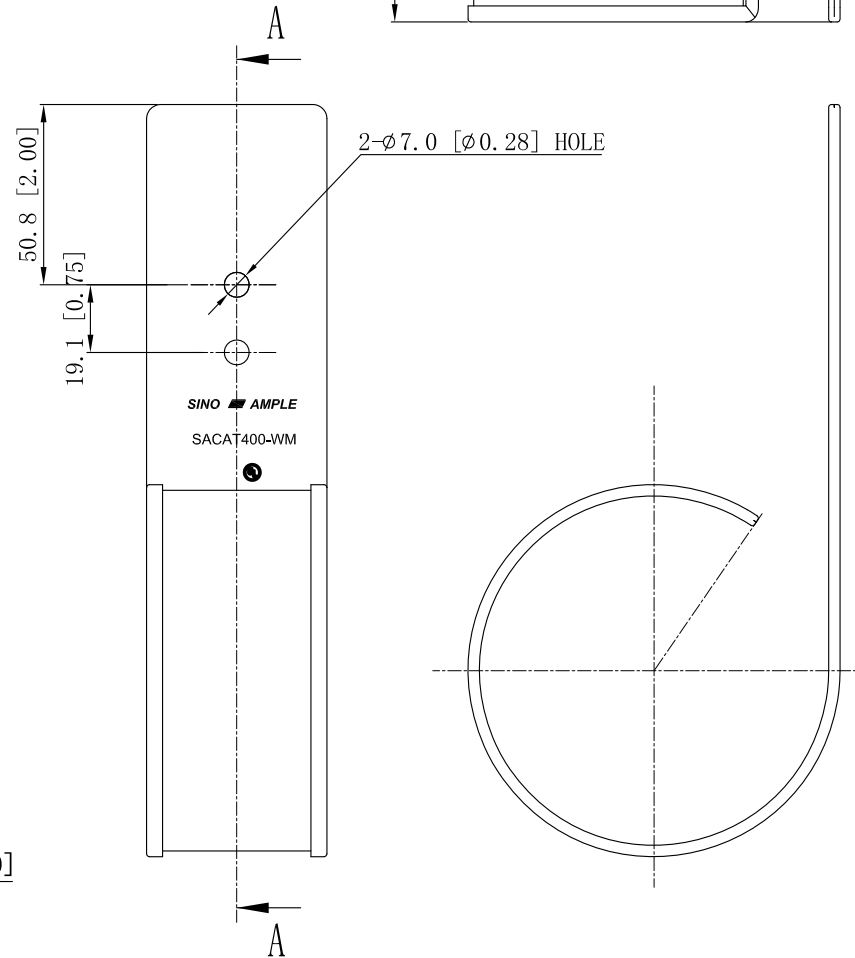
Material: Steel-0.0625"-Galvanized

UL File #

E510054



CUTAWAY VIEW A-A



This data sheet is for reference only .SINO AMPLE reserves the right to make changes to the design without prior notice.

DESCRIPTION
TRADE REFERENCE TERMS

STANDARD PACKING

ZHUJI SINO AMPLE METAL PRODUCTS CO. , LTD.		
TITLE		
CAT WIRE RINGS		
SIZE	DWG NO.	REV
A4	SACAT400-WM	A
DATA SHEET		