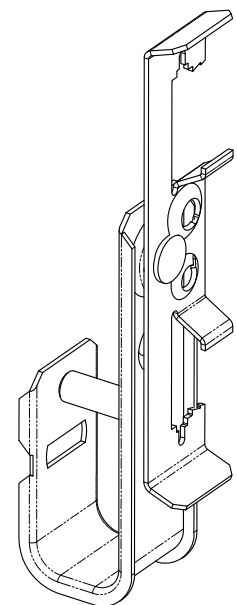
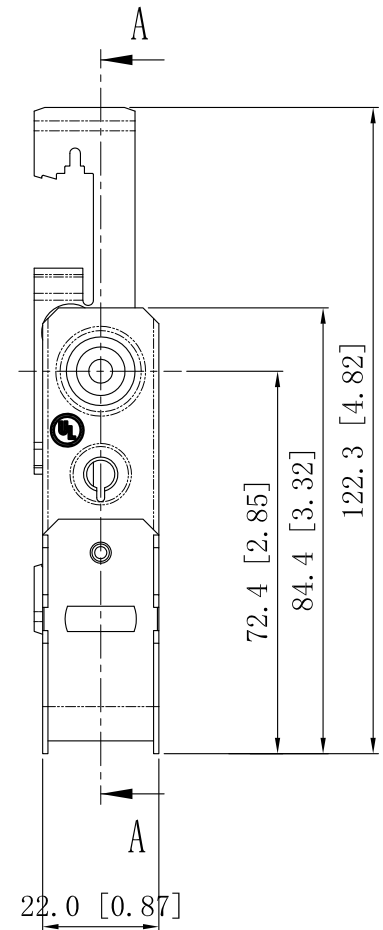
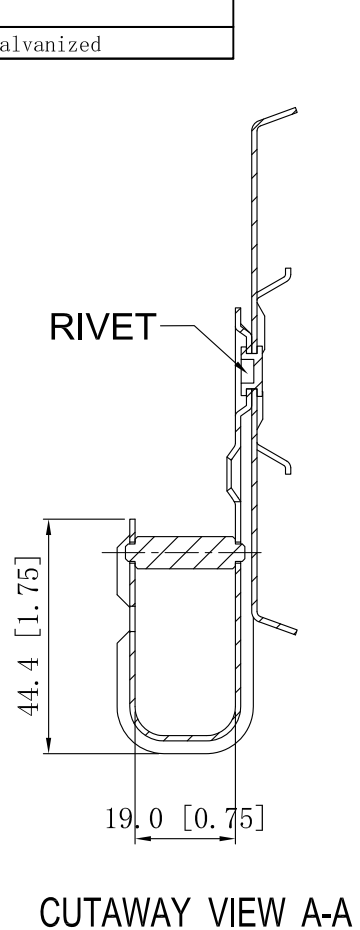


SIDES	BOTTOM
Material:Steel-0.039"-G60 Galvanized	



This data sheet is for reference only .SINO AMPLE reserves the right to make changes to the design without prior notice.

DESCRIPTION
TRADE REFERENCE TERMS

STANDARD PACKING
50 PCS

ZHUJI SINO AMPLE METAL PRODUCTS CO., LTD.		
TITLE J-HOOKS WITH QUICK CLIPS		
SIZE A4	DWG NO. SAJHK-12-BW2	REV A
DATA SHEET		