

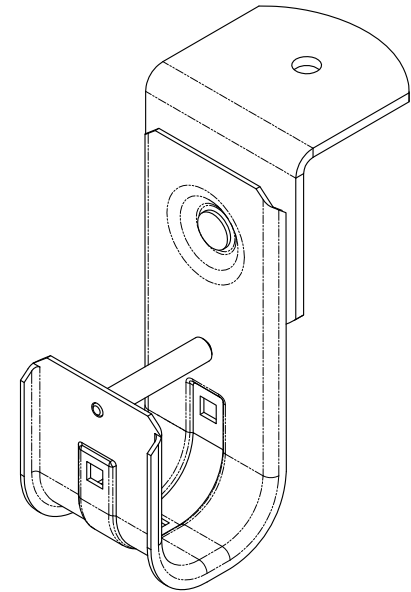
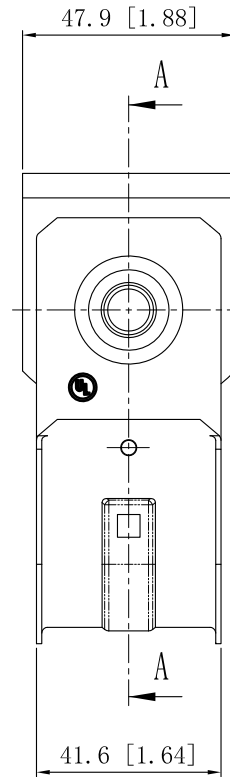
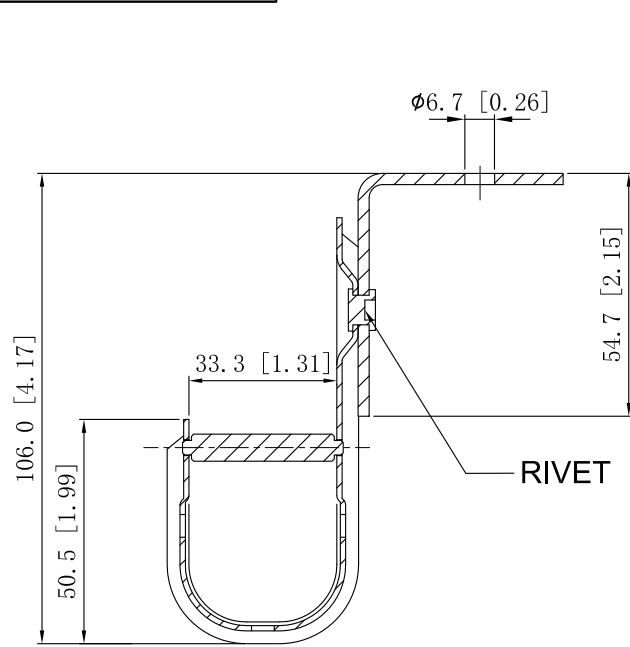
SIDES

BOTTOM

UL File #

E510054

Material: Steel-0.047"-G60 Galvanized



DESCRIPTION

This data sheet is for reference only .SINO AMPLE reserves the right to make changes to the design without prior notice.

STANDARD PACKING

ZHUJI SINO AMPLE METAL PRODUCTS CO., LTD.

50 PCS

TITLE

J-HOOKS WITH ANGLE BRACKET

TRADE REFERENCE TERMS

SIZE

A4

DWG NO.

SAJHK-21-AB

REV

A

DATA SHEET