

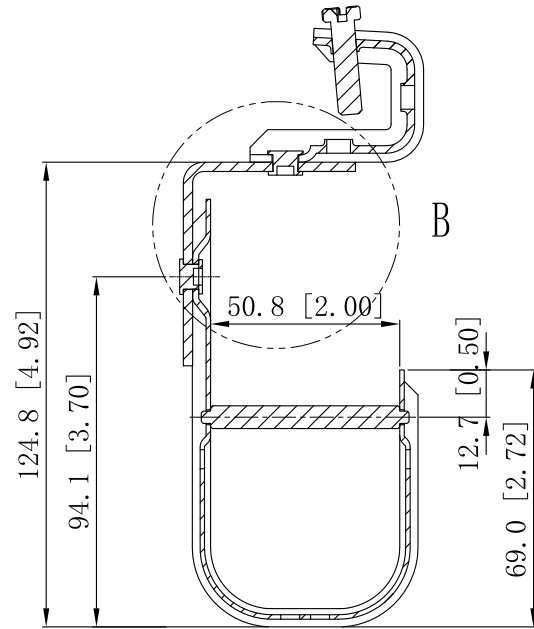
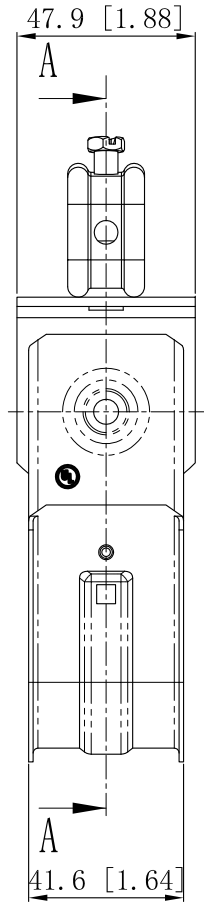
SIDES

BOTTOM

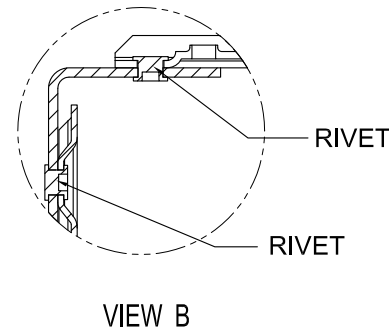
UL File #

E510054

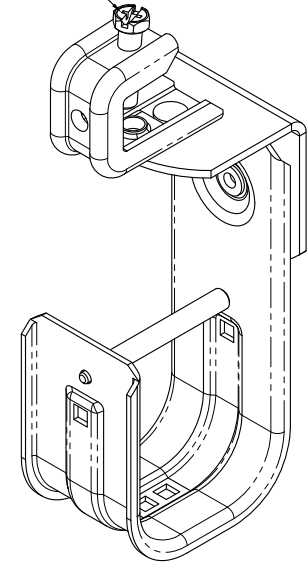
Material:Steel-0.047"-G60 Galvanized



CUTAWAY VIEW A-A



#1/4-20x1



DESCRIPTION

TRADE REFERENCE TERMS

This data sheet is for reference only .SINO AMPLE reserves the right to make changes to the design without prior notice.

STANDARD PACKING

50 PCS

ZHUJI SINO AMPLE METAL PRODUCTS CO., LTD.

TITLE

J-HOOKS WITH BEAM CLAMPS

SIZE

A4

DWG NO.

SAJHK-32-BC

REV

A

DATA SHEET