

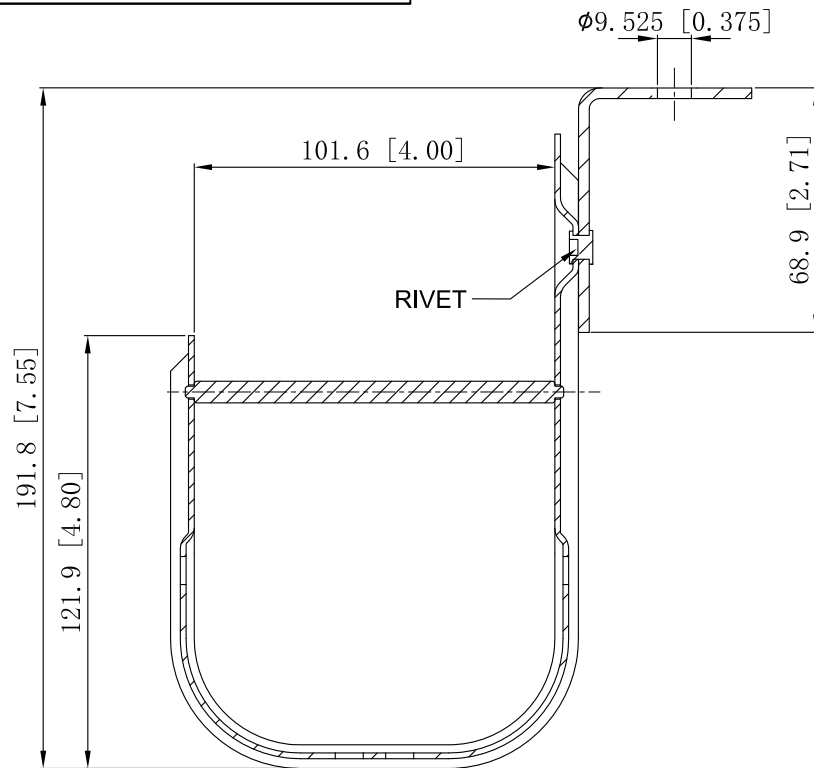
SIDES

BOTTOM

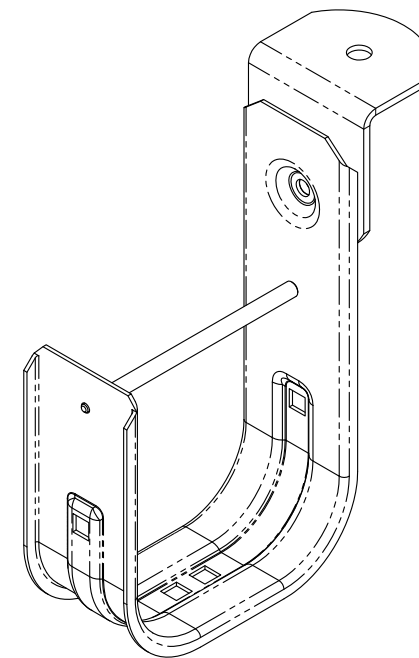
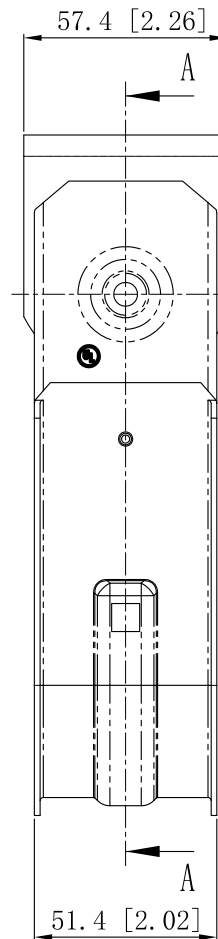
UL File #

E510054

Material:Steel-0.059"-G60 Galvanized



CUTAWAY VIEW A-A



DESCRIPTION

TRADE REFERENCE TERMS

This data sheet is for reference only .SINO AMPLE reserves the right to make changes to the design without prior notice.

STANDARD PACKING

25 PCS

ZHUJI SINO AMPLE METAL PRODUCTS CO., LTD.

TITLE

J-HOOKS WITH ANGLE BRACKET

SIZE A4

DWG NO.

SAJHK-64-AB
DATA SHEET

REV A