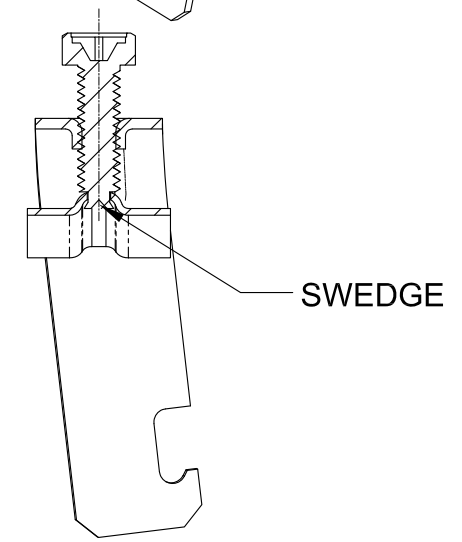
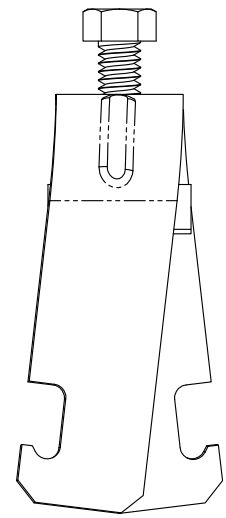
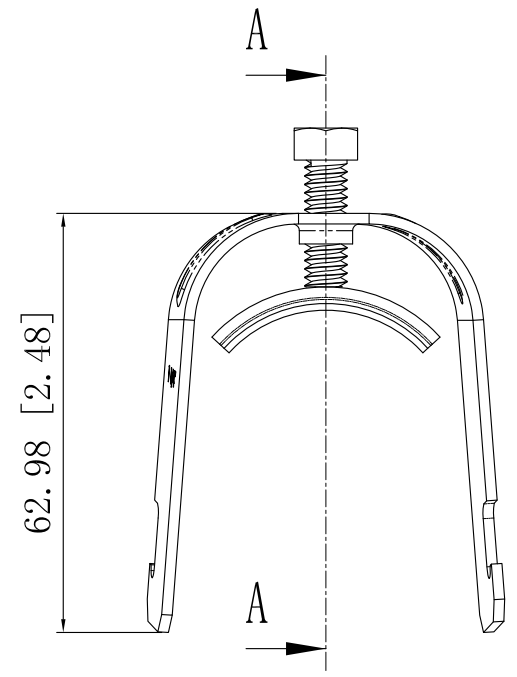
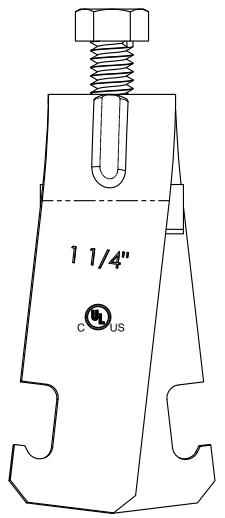
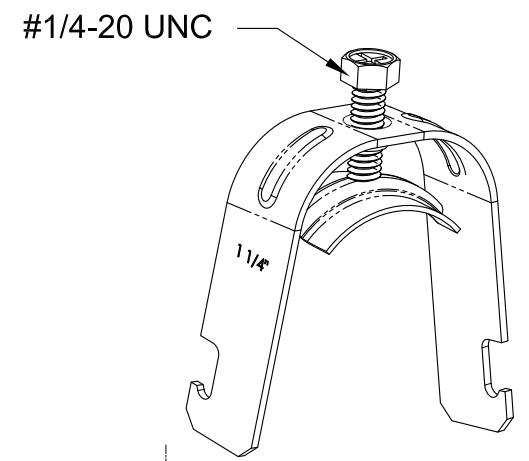
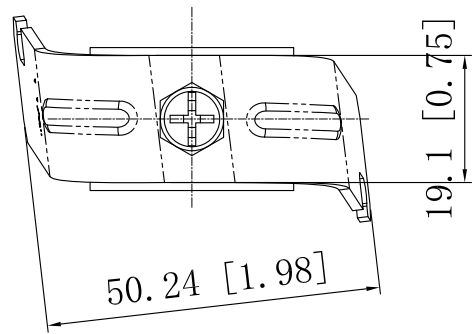


SIDES	BOTTOM

Material: Steel-(0.061"-0.063")-Galvanized or C.R.S and zinc plated



CUTAWAY VIEW A-A

This data sheet is for reference only .SINO AMPLE reserves the right to make changes to the design without prior notice.

DESCRIPTION
TRADE REFERENCE TERMS

STANDARD PACKING
50 PCS

ZHUJI SINO AMPLE METAL PRODUCTS CO., LTD.		
TITLE		
ONE-PIECE STRUT CLAMPS		
SIZE	DWG NO.	REV
A4	SAOPSC-125	A
DATA SHEET		