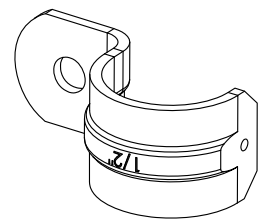
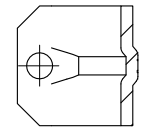
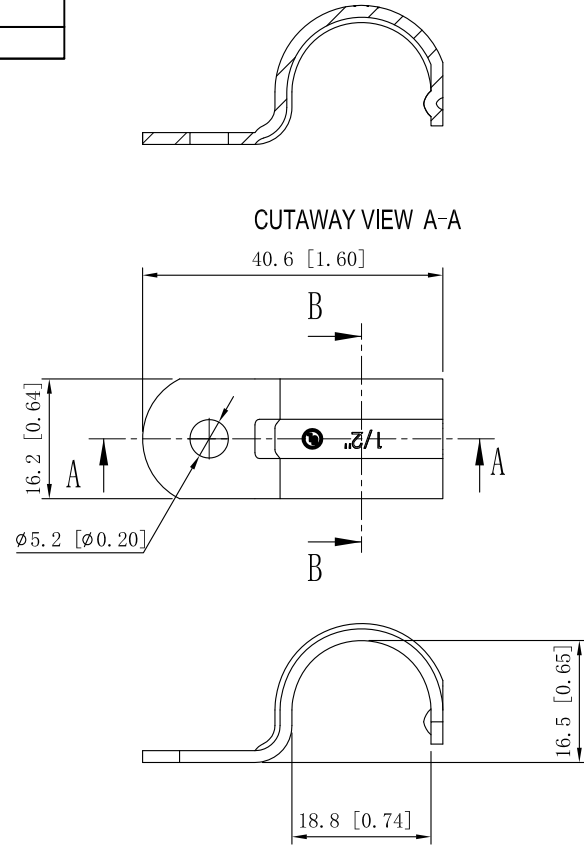


SIDES	BOTTOM
Material:0.051~0.059"-Stainless steel 316	



This data sheet is for reference only .SINO AMPLE reserves the right to make changes to the design without prior notice.

DESCRIPTION
TRADE REFERENCE TERMS

STANDARD PACKING	ZHUJI SINO AMPLE METAL PRODUCTS CO., LTD.		
100 PCS	TITLE		
	ONE-HOLE STRAPS		
	SIZE	DWG NO.	REV
A4	SAOHSS-50	A	
DATA SHEET			