

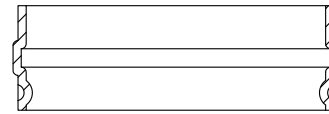
SIDES

BOTTOM

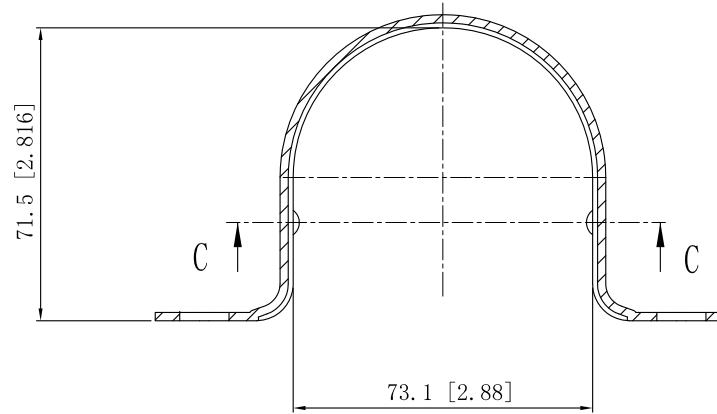
UL File #

E510054

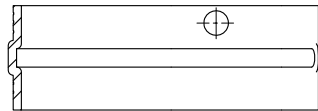
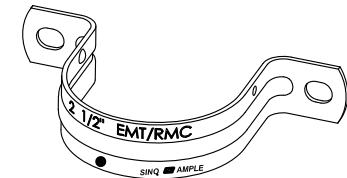
Material: 0.0785" - STAINLESS STEEL 316



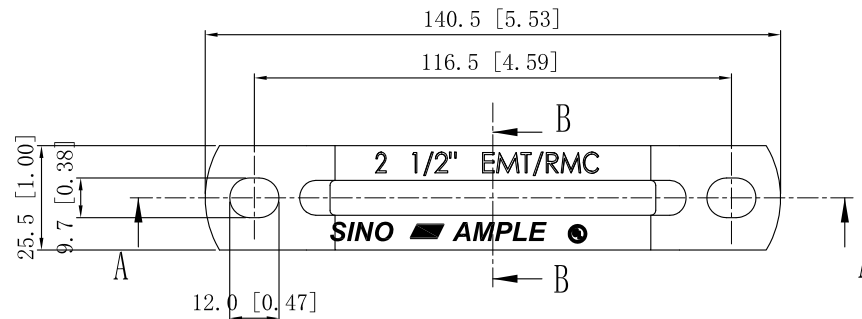
CUTAWAY VIEW C-C



CUTAWAY VIEW A-A



CUTAWAY VIEW B-B



This data sheet is for reference only .SINO AMPLE reserves the right to make changes to the design without prior notice.

DESCRIPTION
TRADE REFERENCE TERMS

STANDARD PACKING
25 PCS

ZHUJI SINO AMPLE METAL PRODUCTS CO., LTD.	
TITLE TWO-HOLE STRAPS	
SIZE A4	DWG NO. SATHSS-250
DATA SHEET	
REV A	