

SIDES

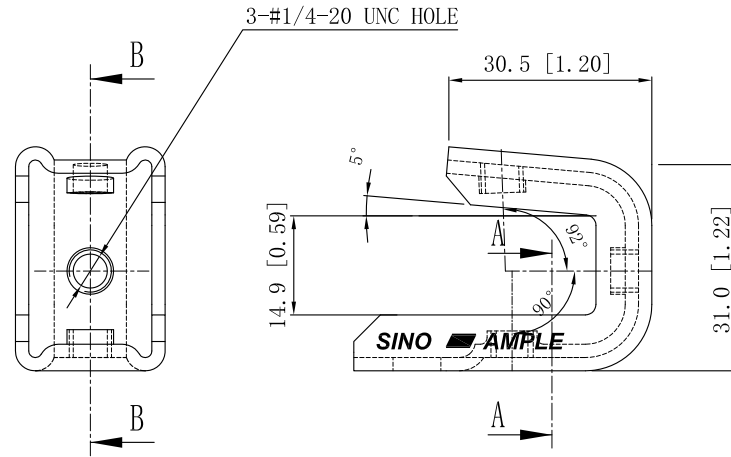
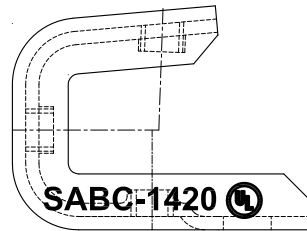
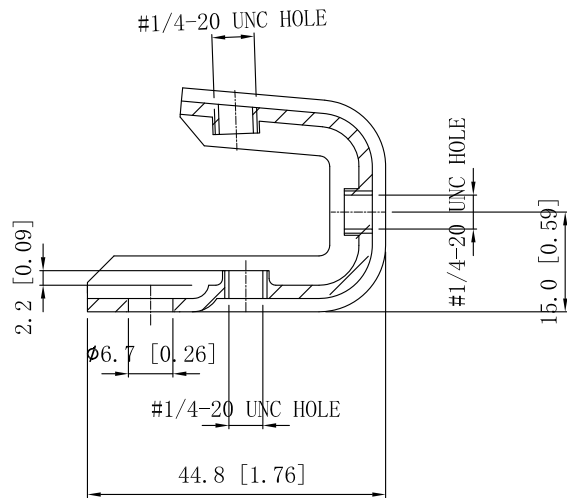
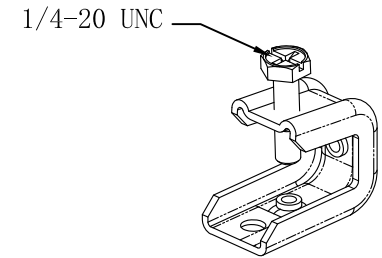
BOTTOM

UL File #

E510054

1 PCS 1/4-20×1 Screws Installed

Material:Steel-0.079"-C.R.S Zinc Plated



CUTAWAY VIEW A-A

This data sheet is for reference only .SINO AMPLE reserves the right to make changes to the design without prior notice.

DESCRIPTION
TRADE REFERENCE TERMS

STANDARD PACKING	ZHUJI SINO AMPLE METAL PRODUCTS CO., LTD.		
100 PCS	TITLE STAMPED STEEL BEAM CLAMPS		
	SIZE A4	DWG NO. SABC1420	REV A
	DATA SHEET		