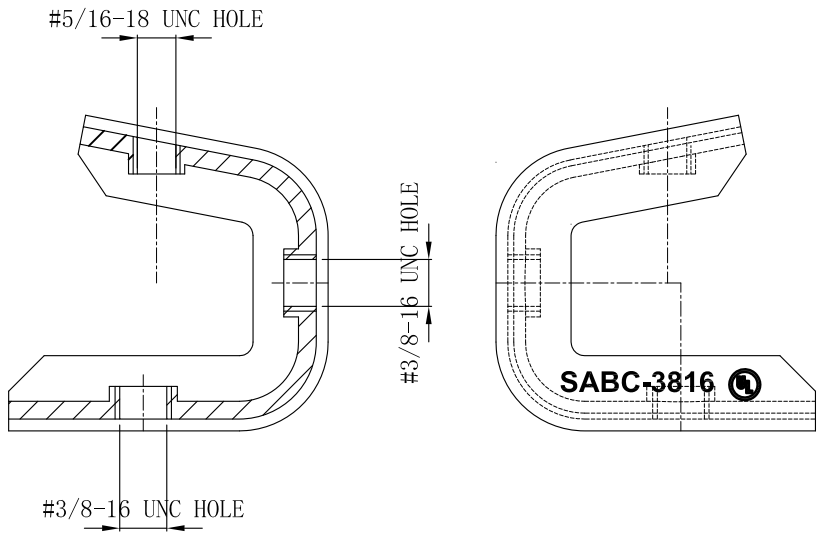
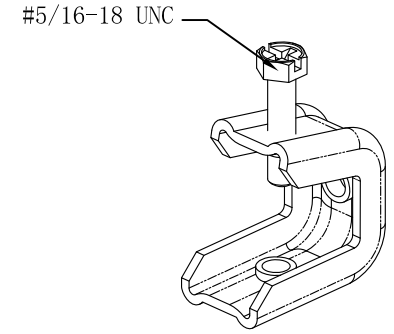
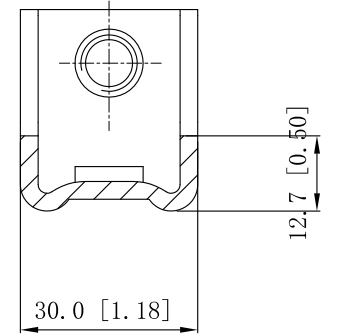
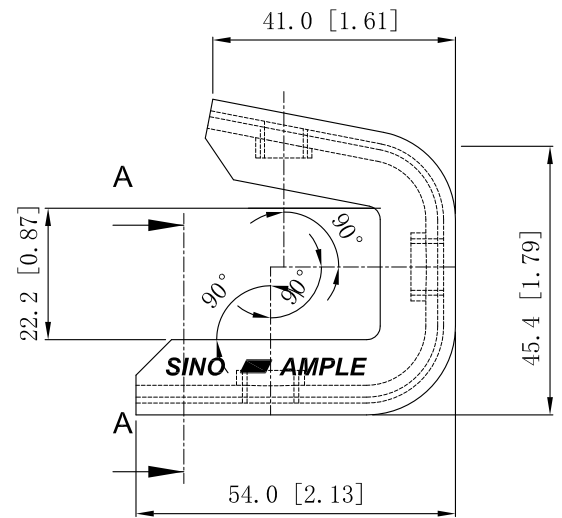
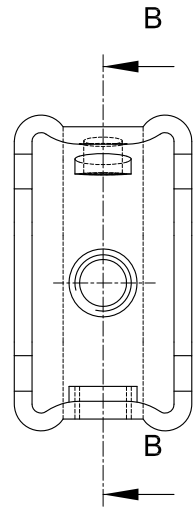


SIDES	BOTTOM
1 PCS 5/16-18×1 3/8 Screws Installed	
Material:Steel-0.118"-C.R.S Zinc Plated	



VIEW B-B



VIEW A-A

DESCRIPTION
TRADE REFERENCE TERMS

This data sheet is for reference only . SINO AMPLE reserves the right to make changes to the design without prior notice.

STANDARD PACKING	ZHUJI SINO AMPLE METAL PRODUCTS CO. , LTD.		
25 PCS	TITLE STAMPED STEEL BEAM CLAMPS		
	SIZE A4	DWG NO. SABC-3816	REV A
	DATA SHEET		