

SIDES

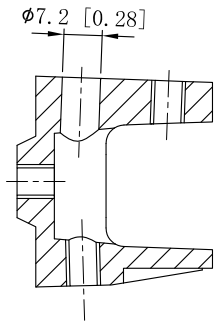
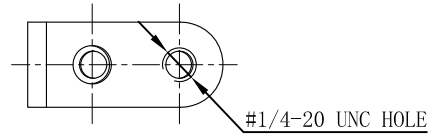
BOTTOM

UL File #

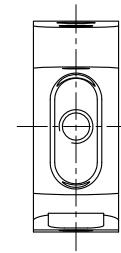
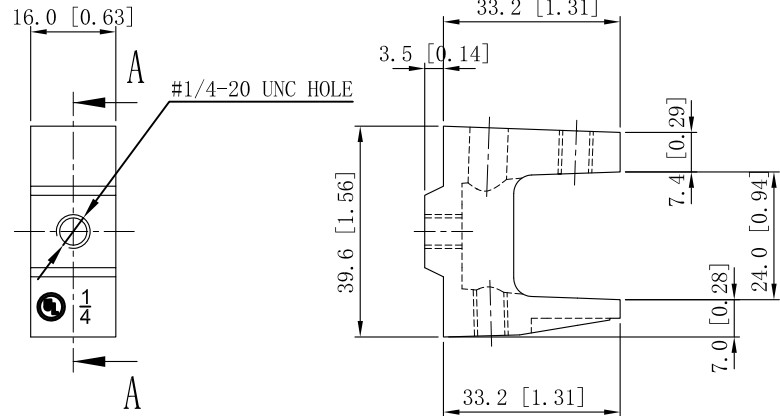
E510054

1 PCS 1/4-20×1 1/4 Screws Installed

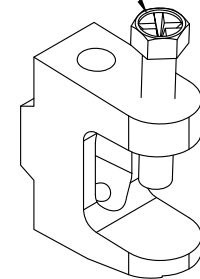
Material:Steel-Malleable Lron 32510 Sandblast



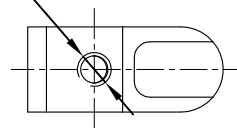
CUTAWAY VIEW A-A



#1/4-20 UNC



#1/4-20 UNC HOLE



This data sheet is for reference only .SINO AMPLE reserves the right to make changes to the design without prior notice.

DESCRIPTION

STANDARD PACKING

ZHUJI SINO AMPLE METAL PRODUCTS CO. , LTD.

50 PCS

TITLE

PIPE-FITTERS TOP BEAM CLAMP

TRADE REFERENCE TERMS

SIZE

A4

DWG NO.

SAJFC-1420

REV

A

DATA SHEET