

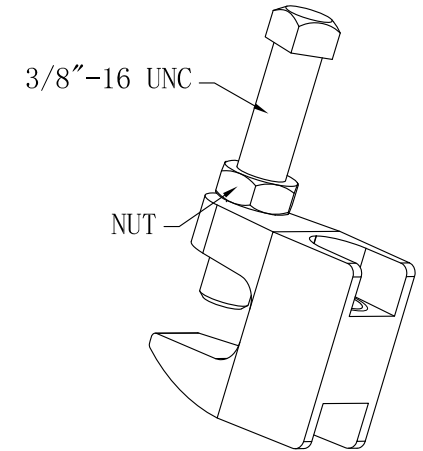
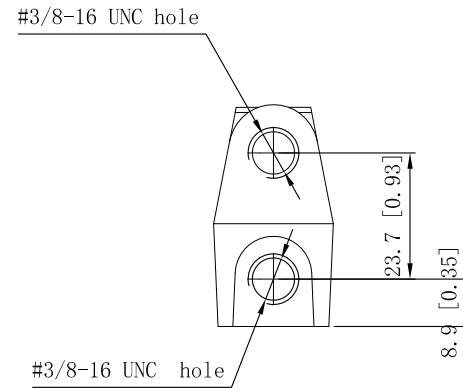
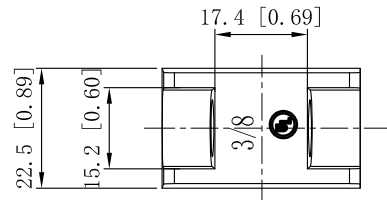
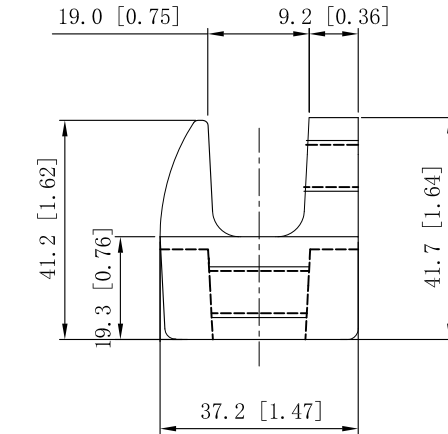
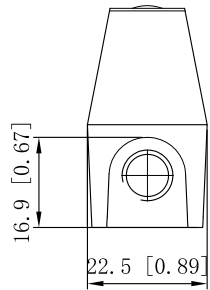
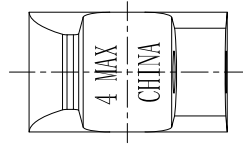
SIDES

BOTTOM

UL File #

E510054

1 PCS 3/8-16×1 1/2 Screws Installed
 1 PCS 3/8-16 Nut Installed
 Material:Steel-Malleable Lron 32510 Sandblast



DESCRIPTION
TRADE REFERENCE TERMS

This data sheet is for reference only .GARVIN INDUSTRIES reserves the right to make changes to the design without prior notice.

STANDARD PACKING	ZHUJI SINO AMPLE METAL PRODUCTS CO. , LTD.		
25/250 PCS	TITLE PIPE-FITTERS TOP BEAM CLAMP		
	SIZE A4	DWG NO. SAJFC-3816	REV A
	DATA SHEET		