

SIDES

BOTTOM

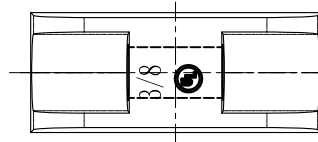
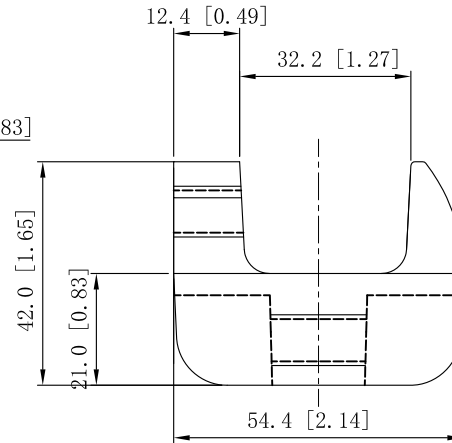
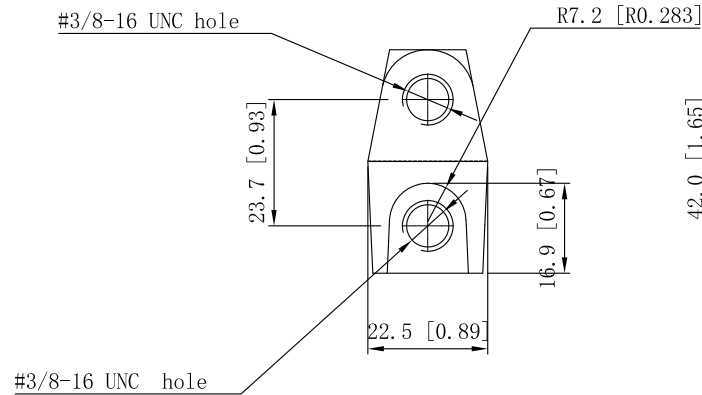
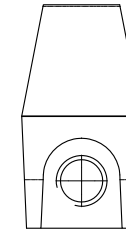
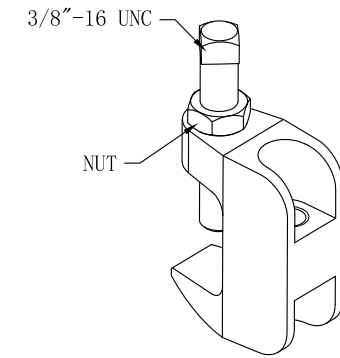
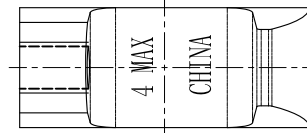
UL File #

E510054

1 PCS 3/8-16x2 Screws Installed

1 PCS 3/8-16 Nut Installed

Material:Steel-Malleable Lron 32510 Sandblast



DESCRIPTION

TRADE REFERENCE TERMS

This data sheet is for reference only .SINO AMPLE reserves the right to make changes to the design without prior notice.

STANDARD PACKING

25/250 PCS

ZHUJI SINO AMPLE METAL PRODUCTS CO., LTD.

TITLE  
PIPE-FITTERS TOP BEAM CLAMP

SIZE A4	DWG NO. SAMFC-3816	REV A
------------	-----------------------	----------

DATA SHEET