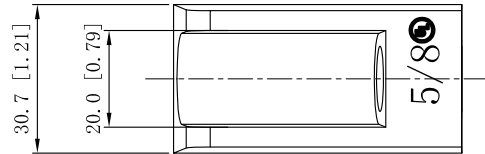
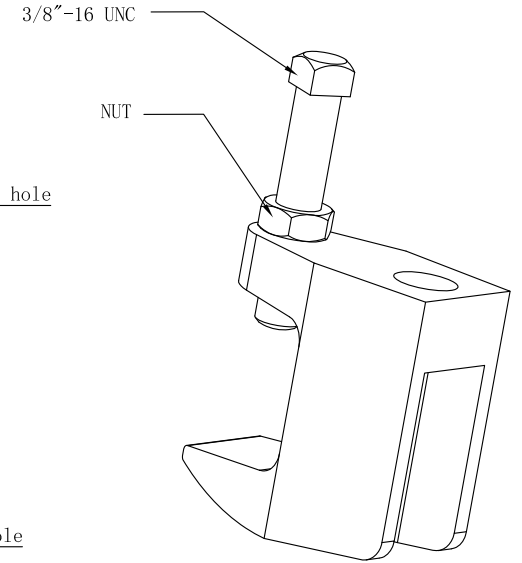
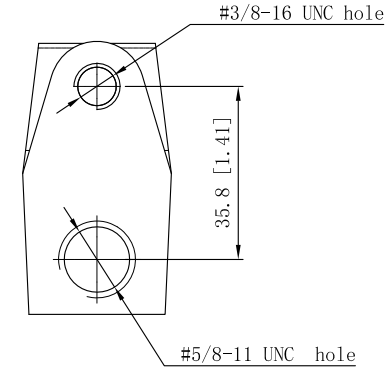
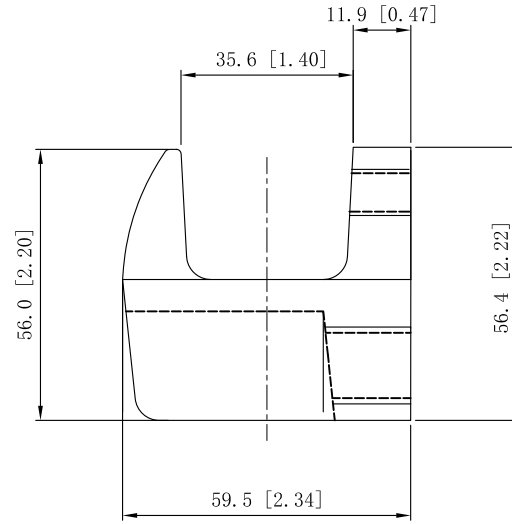
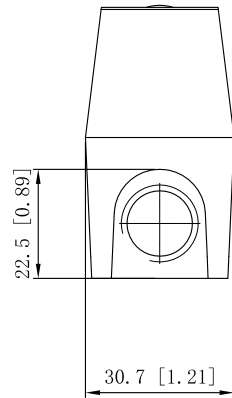
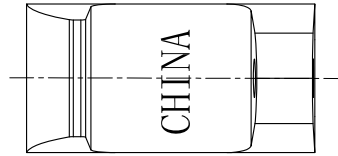


SIDES	BOTTOM
1 PCS 3/8-16×2 Screws Installed	
1 PCS 3/8-16 Nut Installed	
Material:Steel-Malleable Lron 32510 Sandblast	



This data sheet is for reference only .SINO AMPLE reserves the right to make changes to the design without prior notice.

DESCRIPTION
TRADE REFERENCE TERMS

STANDARD PACKING	ZHUJI SINO AMPLE METAL PRODUCTS CO., LTD.		
	TITLE	PIPE-FITTERS TOP BEAM CLAMP	
25/100 PCS	SIZE	DWG NO.	REV
	A4	SAMFC-5811	A
DATA SHEET			