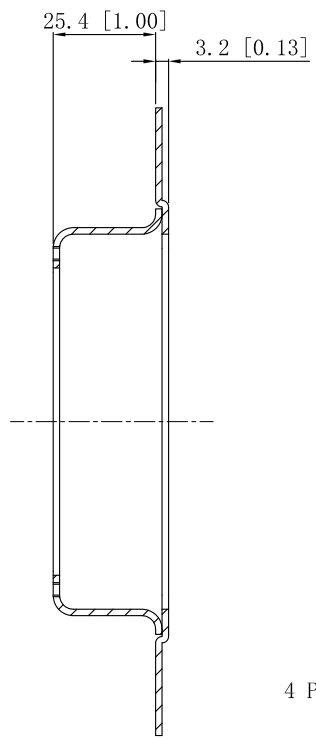
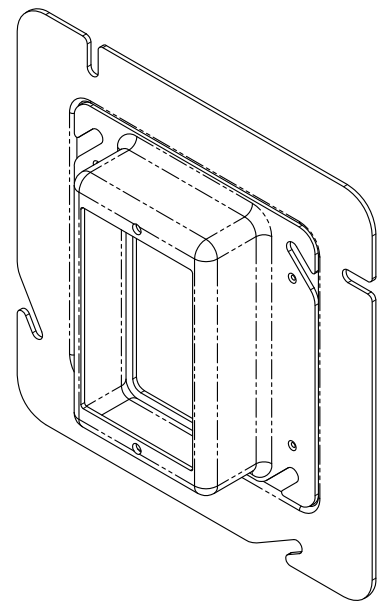
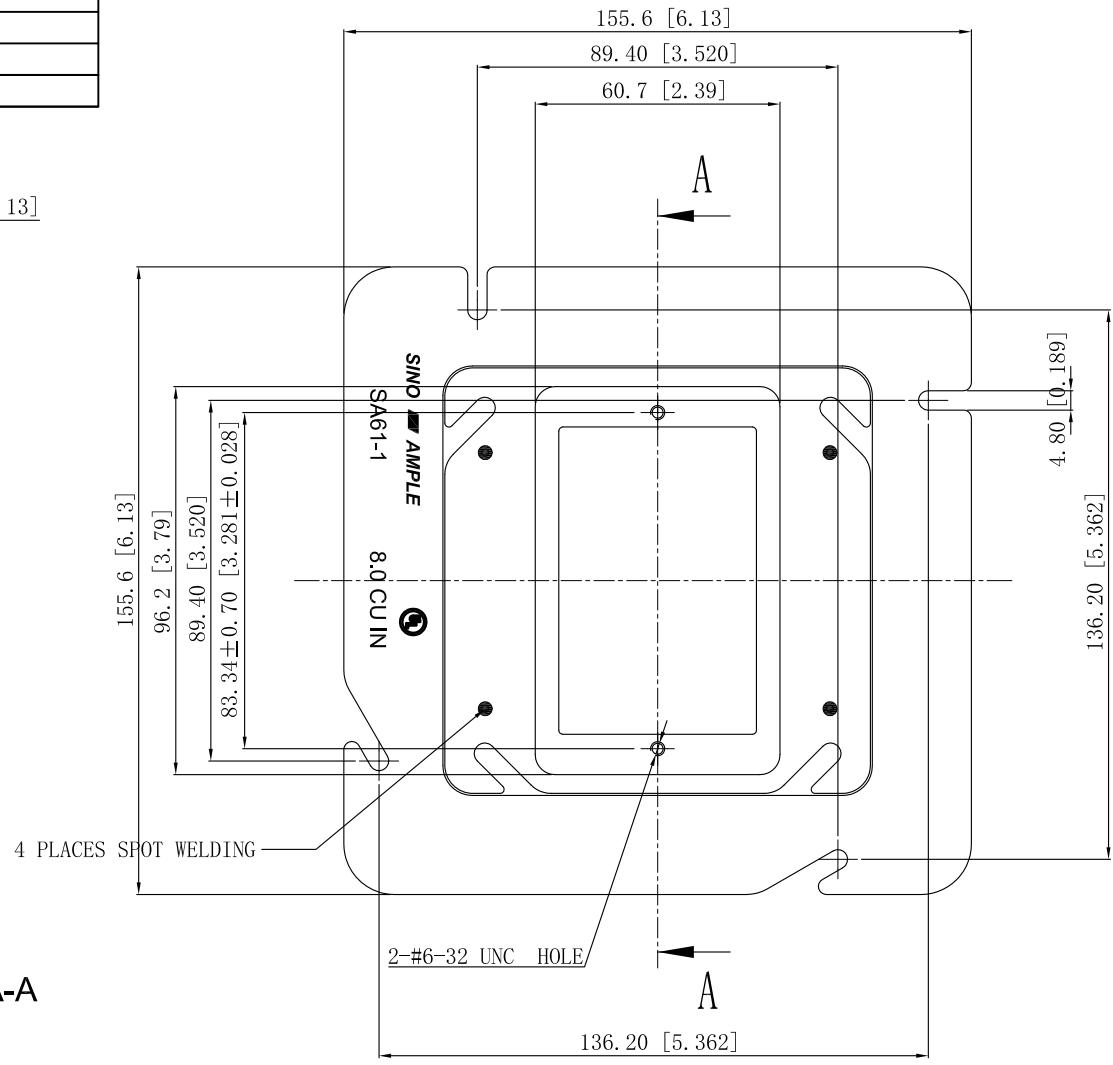


SIDES	BOTTOM
Material: Steel-(0.062")-G60 Galvanized	



CUTAWAY VIEW A-A



This data sheet is for reference only .SINO AMPLE reserves the right to make changes to the design without prior notice.

DESCRIPTION
TRADE REFERENCE TERMS

STANDARD PACKING
25 PCS

ZHUJI SINO AMPLE METAL PRODUCTS CO., LTD.		
TITLE		
SINGLE GANG MUD RINGS 6" SQUARE		
SIZE	DWG NO.	REV
A4	SA61-1	A
DATA SHEET		