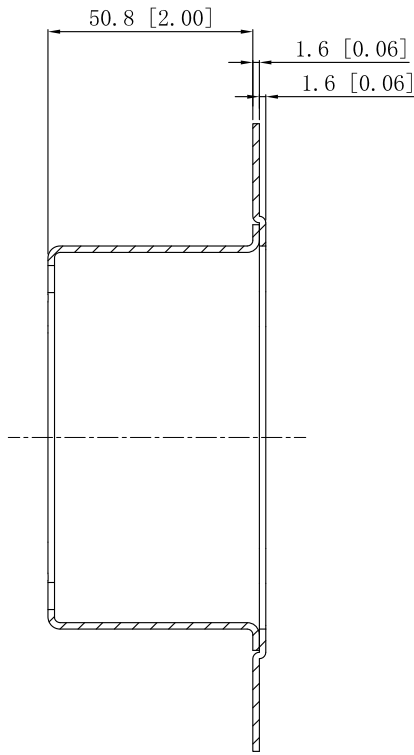
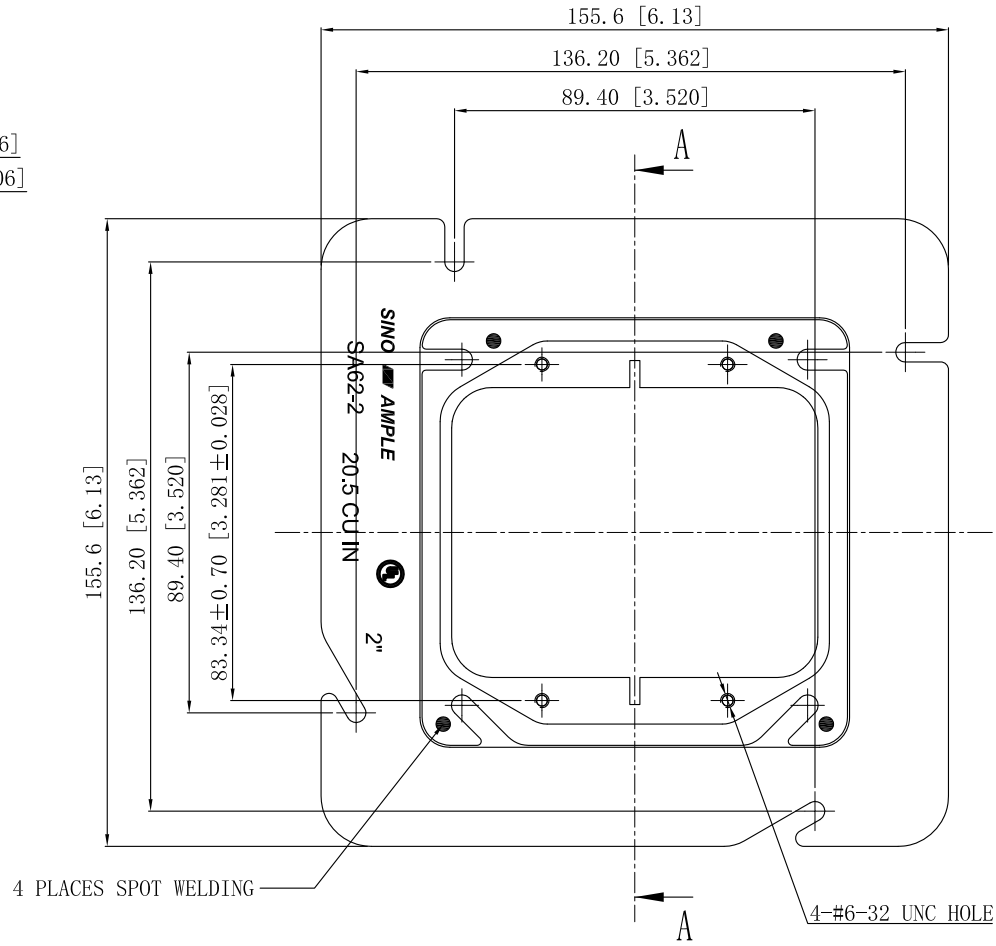


SIDES	BOTTOM
Material: Steel-(0.062")-G60 Galvanized	

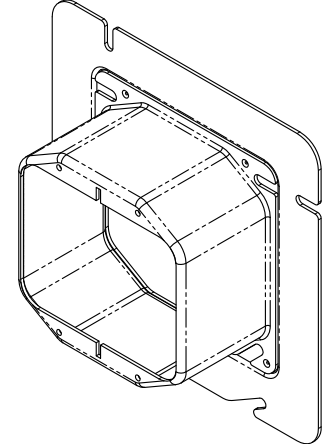


CUTAWAY VIEW A-A



4 PLACES SPOT WELDING

4-#6-32 UNC HOLE



DESCRIPTION
TRADE REFERENCE TERMS

This data sheet is for reference only .SINO AMPLE reserves the right to make changes to the design without prior notice.

STANDARD PACKING	ZHUJI SINO AMPLE METAL PRODUCTS CO., LTD.		
25 PCS	TITLE SINGLE GANG MUD RINGS 6" SQUARE		
	SIZE A4	DWG NO. SA62-2	REV A
DATA SHEET			