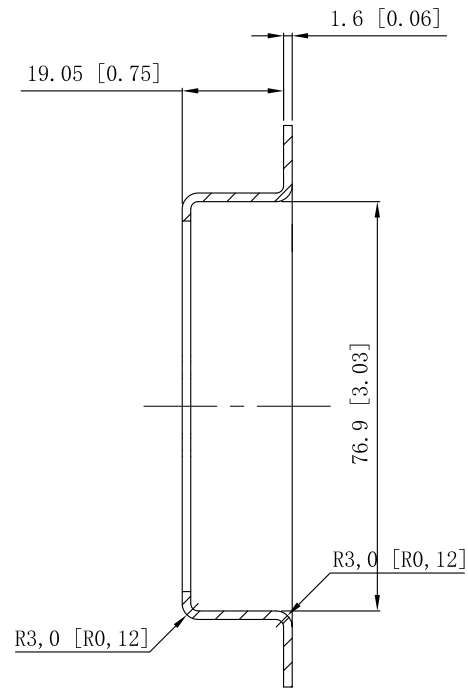
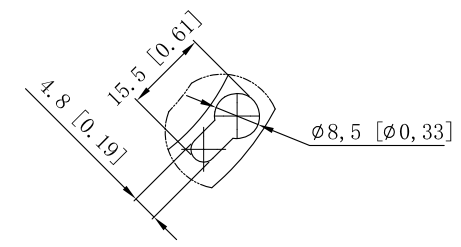
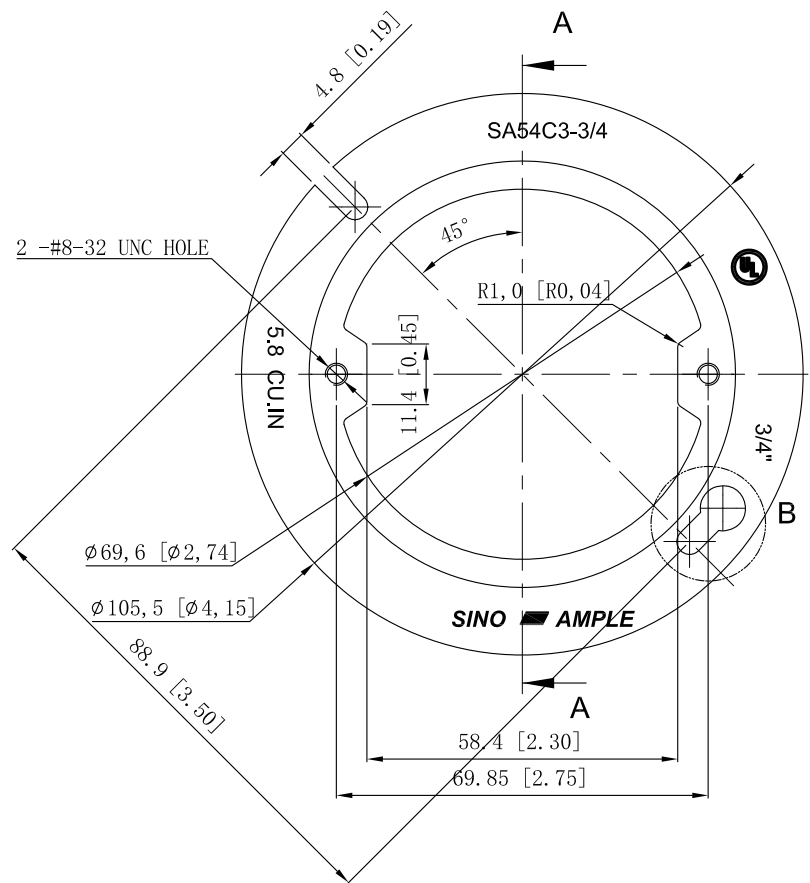


SIDES	BOTTOM
Material: Steel-0.0625"-(G60 or C. R. S) Galvanized	



VIEW A-A



VIEW B

This data sheet is for reference only .SINO AMPLE reserves the right to make changes to the design without prior notice.

DESCRIPTION
TRADE REFERENCE TERMS

STANDARD PACKING	ZHUJI SINO AMPLE METAL PRODUCTS CO., LTD.		
25 PCS	TITLE	4"OCTAGON BOX COVERS	
	SIZE	DWG NO.	REV
	A4	SA54C3-3/4	A
		DATA SHEET	