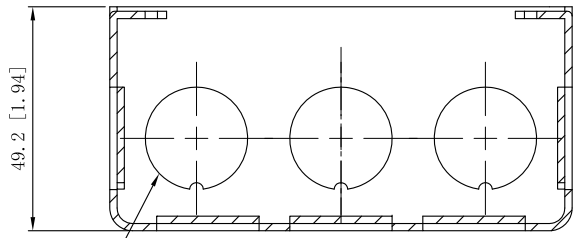
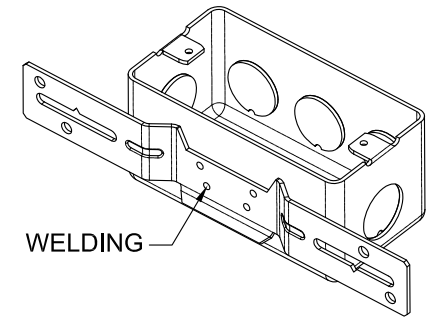


SIDES	BOTTOM
5 1/2" KNOCKOUTS	3 1/2" KNOCKOUTS
Material: Steel-0.0625"-G60 Galvanized	

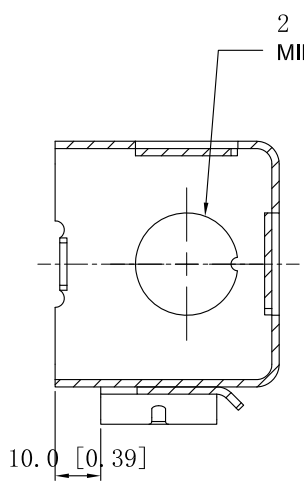


CUTAWAY VIEW A-A

3 1/2" KNOCKOUTS $\phi = 22.50$ [$\phi = 0.886$]



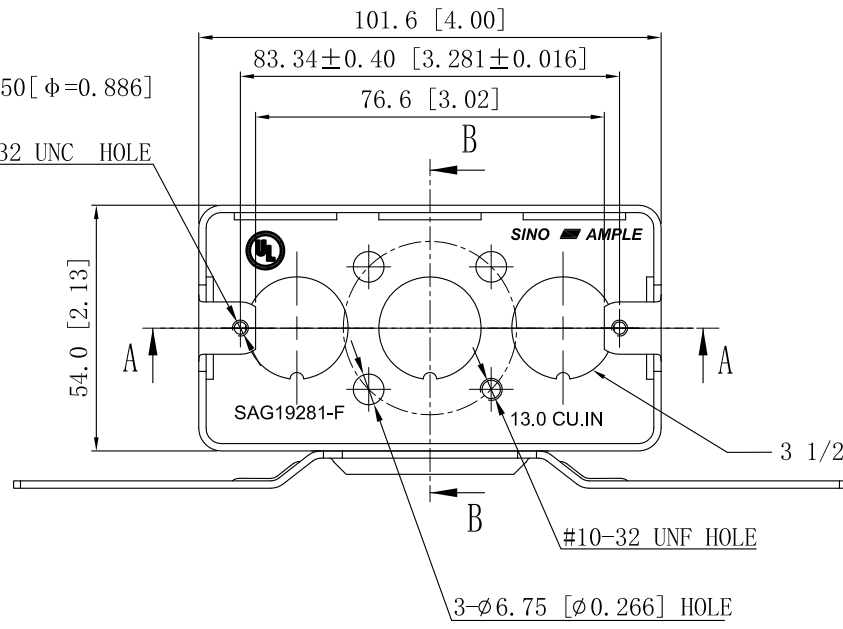
WELDING



CUTAWAY VIEW B-B

2 1/2" KNOCKOUTS $\phi = 22.50$ [$\phi = 0.886$]
MIRROR

2-#6-32 UNC HOLE



3 1/2" KNOCKOUTS $\phi = 22.50$ [$\phi = 0.886$]

#10-32 UNF HOLE

3- $\phi 6.75$ [$\phi 0.266$] HOLE

This data sheet is for reference only .SINO AMPLE reserves the right to make changes to the design without prior notice.

DESCRIPTION
TRADE REFERENCE TERMS

STANDARD PACKING
25 PCS

ZHUJI SINO AMPLE METAL PRODUCTS CO., LTD.	
TITLE HANDY UTILITY BOXES & EXTENSION RINGS	
SIZE A4	DWG NO. SAG19281-F
DATA SHEET	
REV A	