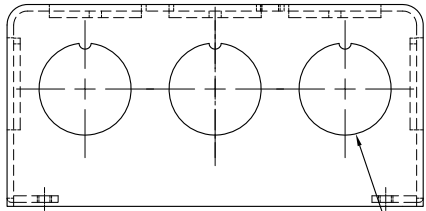
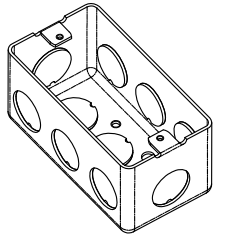
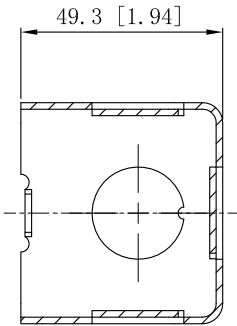


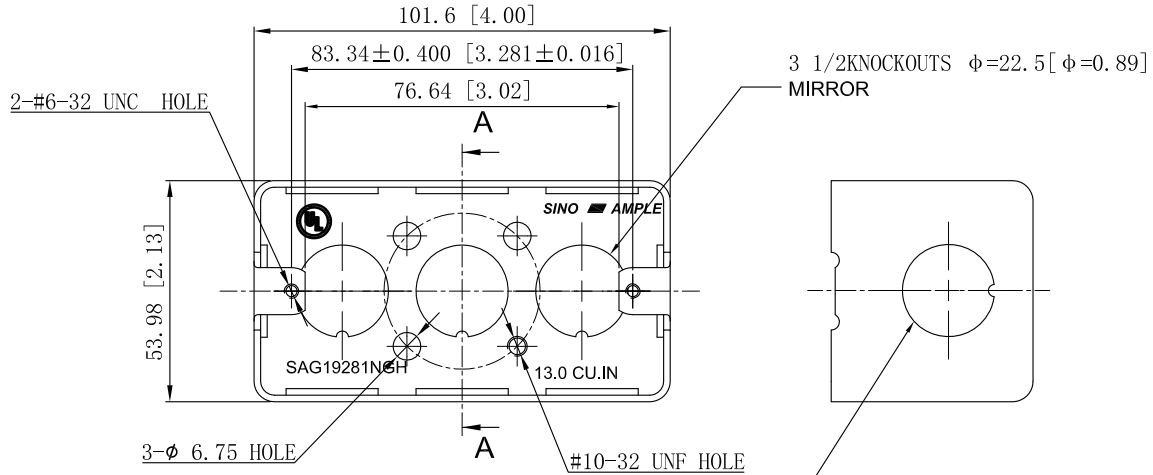
<b>SIDES</b>	<b>BOTTOM</b>
8 1/2" KNOCKOUTS	3 1/2" KNOCKOUTS
Material: Steel-0.0625"-G60 Galvanized	



6 1/2" KNOCKOUTS  $\phi=22.5$  [ $\phi=0.89$ ]



CUTAWAY VIEW A-A



2 1/2" KNOCKOUTS  $\phi=22.5$  [ $\phi=0.89$ ]

This data sheet is for reference only .SINO AMPLE reserves the right to make changes to the design without prior notice.

DESCRIPTION
TRADE REFERENCE TERMS

STANDARD PACKING
50 PCS

ZHUJI SINO AMPLE METAL PRODUCTS CO., LTD.	
TITLE HANDY UTILITY BOXES & EXTENSION RINGS	
SIZE A4	DWG NO. SAG19281NGH
DATA SHEET	
REV A	