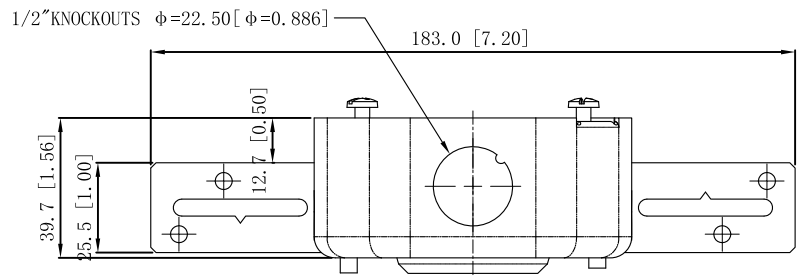
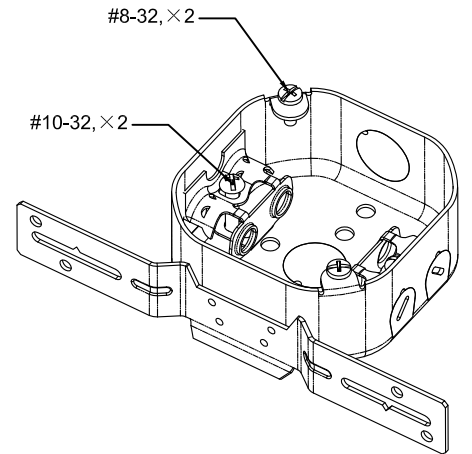
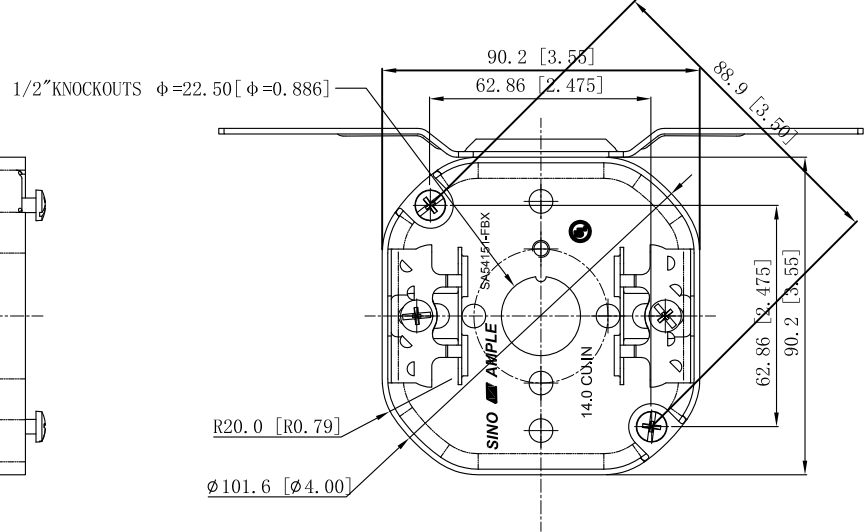
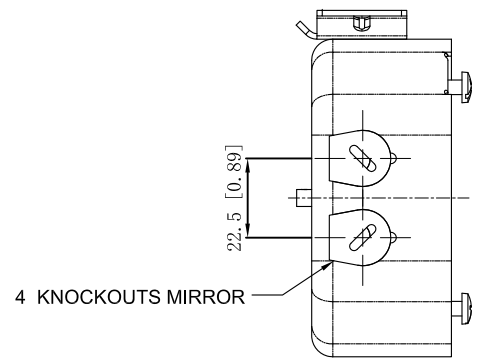
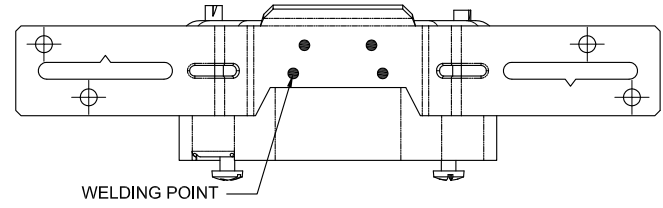


SIDES	BOTTOM
1/2"KNOCKOUTS	1/2"KNOCKOUTS
4KNOCKOUTS	
2 PCS 8-32×1/2 Screws Installed	
2 PCS 10-32×1 Screws Installed	
Material:Steel-0.0625"-G60 Galvanized	



This data sheet is for reference only.SINO AMPLE reserves the right to make changes to the design without prior notice.

DESCRIPTION
TRADE REFERENCE TERMS

STANDARD PACKING
25 PCS

ZHUJI SINO AMPLE METAL PRODUCTS CO., LTD.		
TITLE		
4"OCTAGON BOXES 1-1/2"DEEP		
SIZE	DWG NO.	REV
A4	SA54151-FBX	A
DATA SHEET		
www.garvinindustries.com		