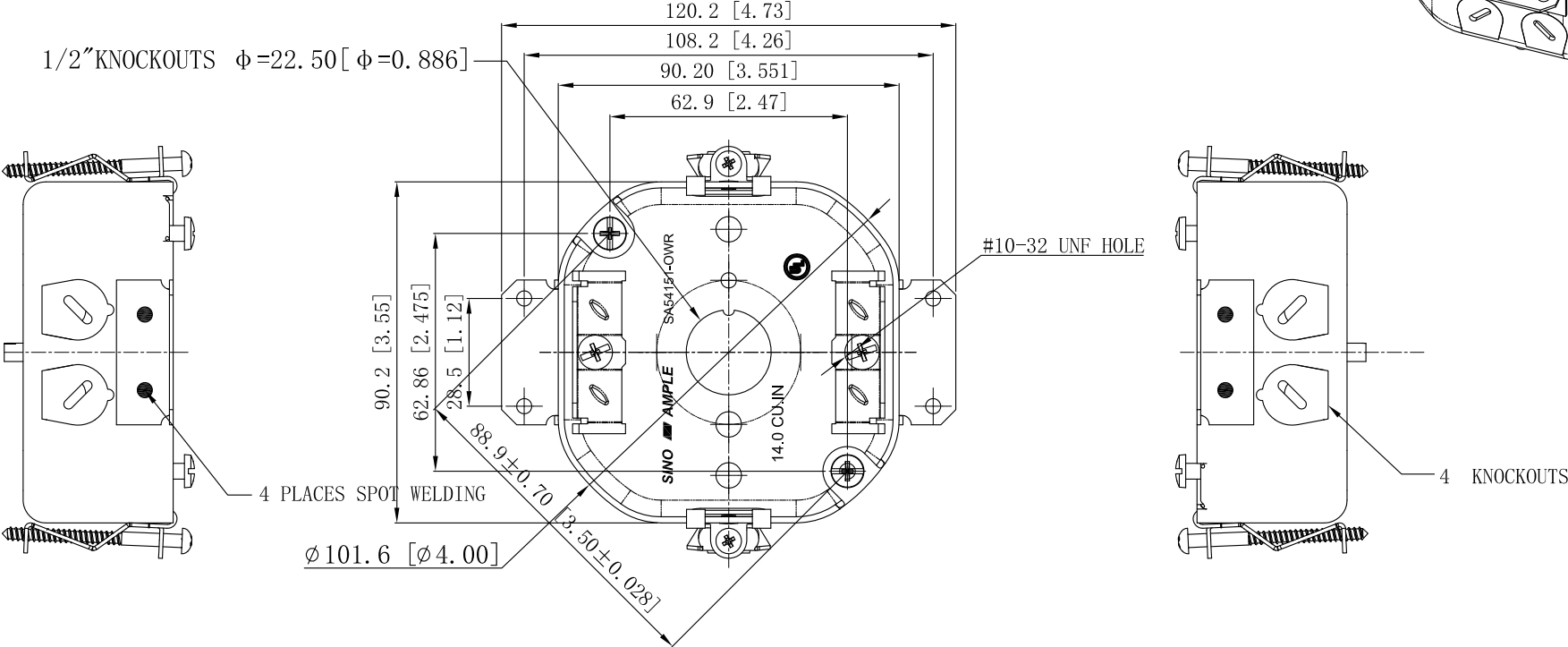
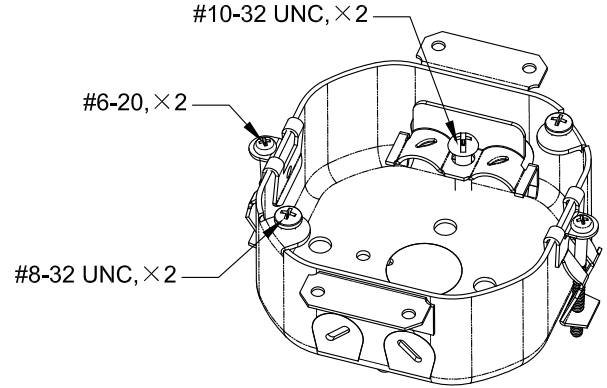
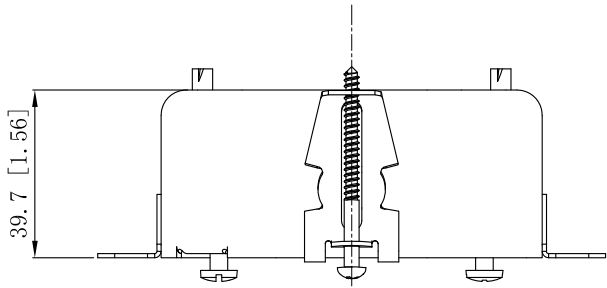


SIDES	BOTTOM
4 KNOCKOUTS	1/2"KNOCKOUTS
2 Pcs #8-32×1/2" screw install	
2 Pcs #10-32×1" screw install	
2 Pcs #6-20×1-7/8" screw install	
Material:Steel-0.0625"-G60 Galvanized	



1/2"KNOCKOUTS $\phi = 22.50$ [$\phi = 0.886$]

This data sheet is for reference only.SINO AMPLE reserves the right to make changes to the design without prior notice.

DESCRIPTION
TRADE REFERENCE TERMS

STANDARD PACKING	ZHUJI SINO AMPLE METAL PRODUCTS CO., LTD.		
	TITLE 4"OCTAGON BOXES 1-1/2"DEEP		
SIZE A4	DWG NO. SA54151-OWR		REV A
	DATA SHEET		