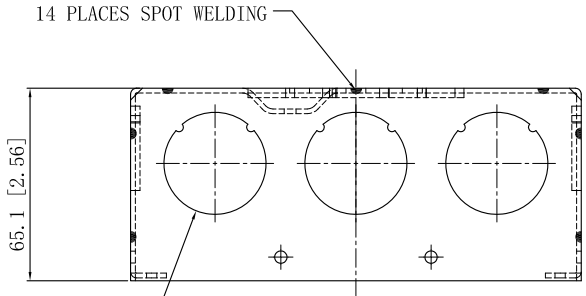
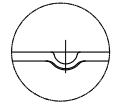
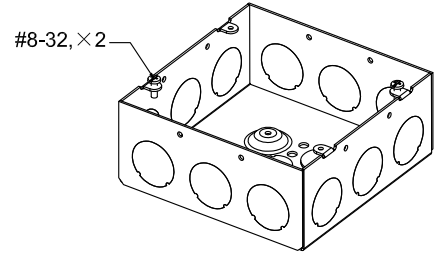


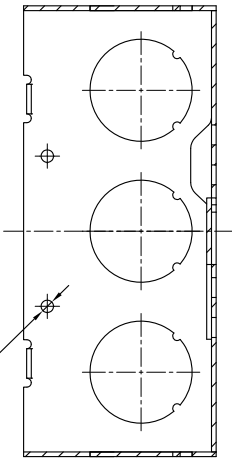
SIDES	BOTTOM
12 1" KNOCKOUTS	2 1/2" KNOCKOUTS
	2 3/4" KNOCKOUTS
	1 Ground hump
2 PCS 8-32x1/2 Screws Installed	
Material: Steel-0.0625"-G60 Galvanized	



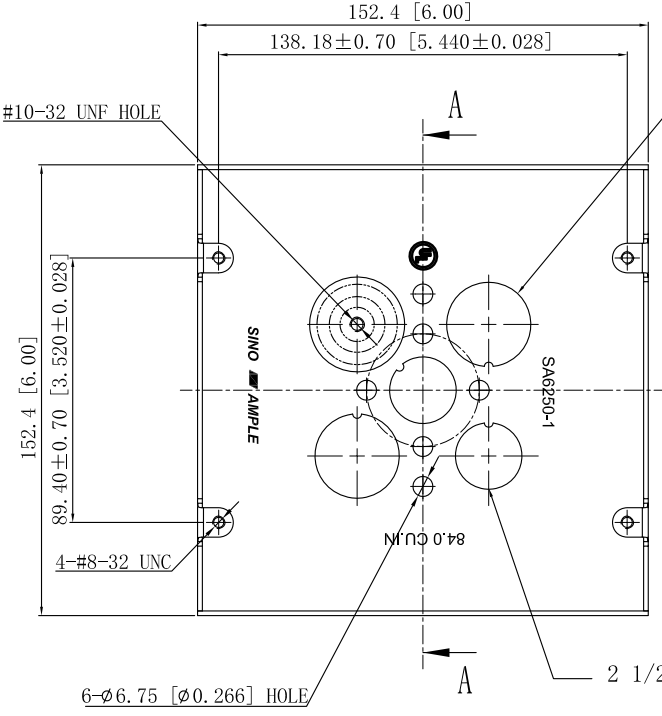
6 1" KNOCKOUT $\phi = 34.50$ ($\phi = 1.358$) MIRROR



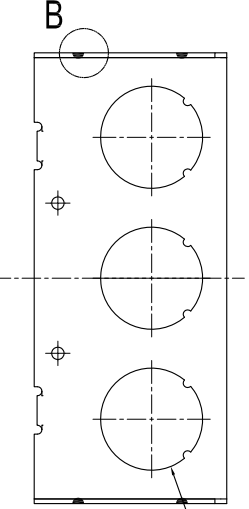
WELDING STYLE DETAIL VIEW B



CUTAWAY VIEW A-A



2 3/4" KNOCKOUTS $\phi = 28.50$ [$\phi = 1.122$]



6 1" KNOCKOUT $\phi = 34.50$ ($\phi = 1.358$) MIRROR

This data sheet is for reference only. SINO AMPLE reserves the right to make changes to the design without prior notice.

DESCRIPTION
TRADE REFERENCE TERMS

STANDARD PACKING
10 PCS

ZHUJI SINO AMPLE METAL PRODUCTS CO., LTD.		
TITLE 6" SQUARE BOXES 2-1/2" DEEP		
SIZE A4	DWG NO. SA6250-1	REV A
DATA SHEET		