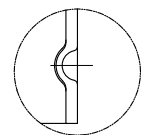
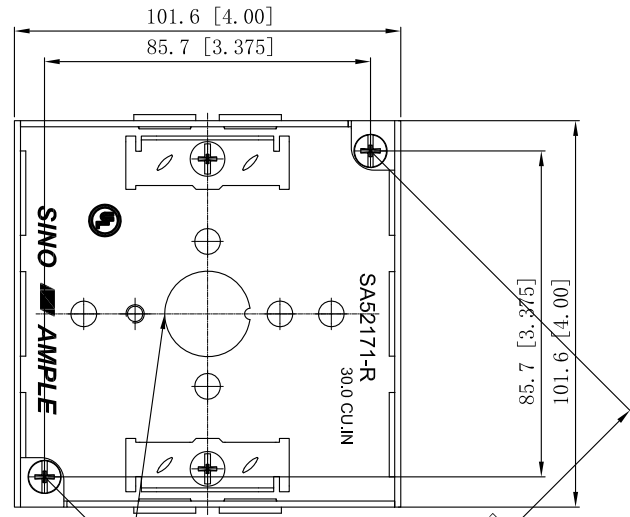
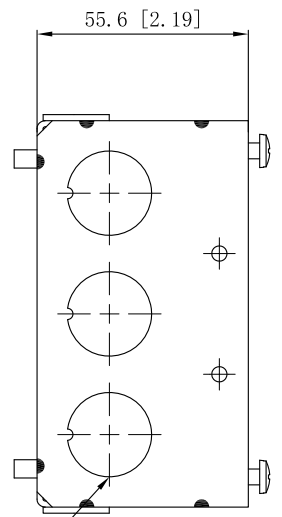
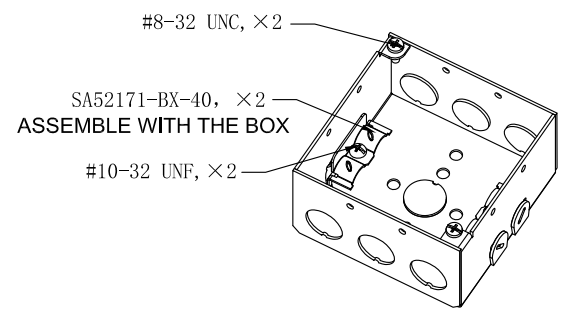
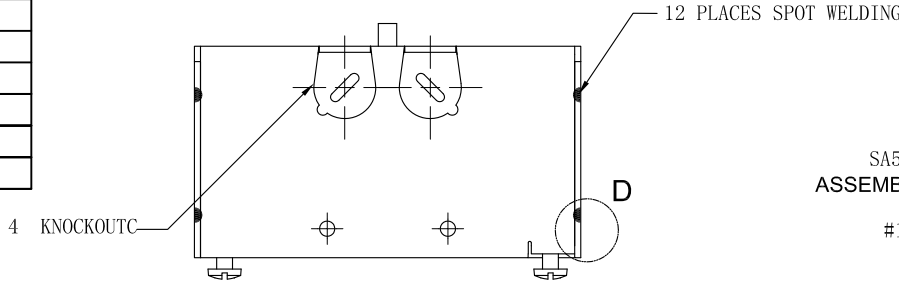


SIDES	BOTTOM
4 KNOCKOUTS	1/2" KNOCKOUTS
6 1/2" KNOCKOUTS	
2 PCS 8-32×1/2 Screws Installed	
2 PCS 10-32×1 Screws Installed	
Material:Steel-0.0625"-G60 Galvanized	



WELDING STYLE DETAIL VIEW D

This data sheet is for reference only.SINO AMPLE reserves the right to make changes to the design without prior notice.

DESCRIPTION
TRADE REFERENCE TERMS

STANDARD PACKING	ZHUJI SINO AMPLE METAL PRODUCTS CO., LTD.		
25 PCS	TITLE 4" SQUARE BOXES 2-1/8" DEEP		
	SIZE A4	DWG NO. SA52171-R	REV A
	DATA SHEET		